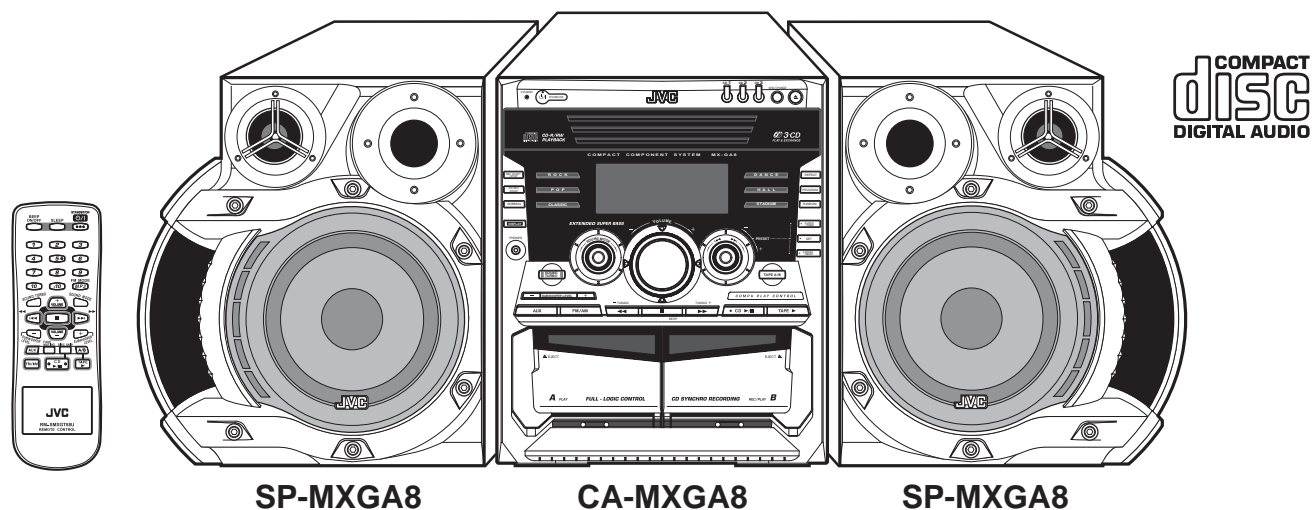


JVC

SERVICE MANUAL

COMPACT COMPONENT SYSTEM

MX-GA8



SP-MXGA8

CA-MXGA8

SP-MXGA8

Area Suffix

JW ----- Mexico, Panama

TABLE OF CONTENTS

1	PRECAUTION	1-3
2	SPECIFIC SERVICE INSTRUCTIONS	1-5
3	DISASSEMBLY	1-6
4	ADJUSTMENT	1-20
5	TROUBLESHOOTING	1-24

SPECIFICATION

Amplifier section	Output Power	SUBWOOFERS	120 W per channel, min. RMS, driven into 6 Ω at 63 Hz with no more than 10% total harmonic distortion.	
		MAIN SPEAKERS	60 W per channel, min. RMS, driven into 4 Ω at 1 kHz with no more than 10% total harmonic distortion.	
	Audio input sensitivity/ Impedance (at 1 kHz, measured at MAIN SPEAKERS)	AUX	400 mV/50 k Ω	
	Speakers/Impedance	Subwoofers	6 Ω - 16 Ω	
Main speakers		4 Ω - 8 Ω		
Tuner	FM tuning range	87.50 MHz - 108.00 MHz		
	AM tuning range	530 kHz - 1 710 kHz		
CD player	CD Capacity	3 CDs		
	Dynamic range	85 dB		
	Signal-to-noise ratio	85 dB		
Cassette deck	Frequency response Normal (type I)	50 Hz - 14 000 Hz		
	Wow and flutter	0.15% (WRMS)		
General	Power requirement	AC 120 V , 60 Hz		
	Power consumption	160 W (at operation)		
		18 W (on standby)		
	Dimensions (approx.)	270 mm \times 317 mm \times 453 mm (W/H/D)		
Mass (approx.)	8.8 kg			
Speaker section	Type	3-way bass-reflex type		
	Speaker units	Subwoofer	13.5 cm cone \times 1	
		Main Woofer	16 cm cone \times 1	
		Tweeter	5 cm cone \times 1	
	Power handling capacity	Subwoofer	120 W	
		Main speaker	60 W	
	Impedance	Subwoofer	6 Ω	
		Main speaker	4 Ω	
	Frequency range	Subwoofer	30 Hz - 70 Hz	
		Main speaker	70 Hz - 20 000 Hz	
	Sound pressure level	Subwoofer	73 dB/W·m	
		Main speaker	86 dB/W·m	
	Dimensions (approx.)	290 mm \times 317 mm \times 336 mm (W/H/D)		
Mass (approx.)	5.5 kg each			

Design and specifications are subject to change without notice.

SECTION 1 PRECAUTION

1.1 Safety Precautions

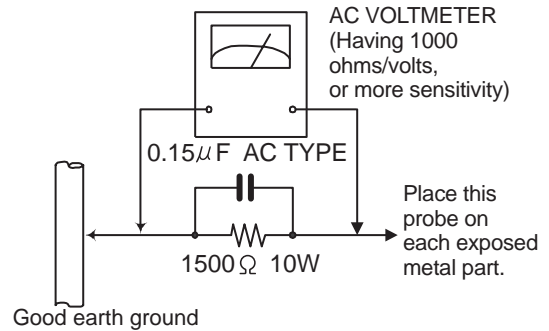
- (1) This design of this product contains special hardware and many circuits and components specially for safety purposes. For continued protection, no changes should be made to the original design unless authorized in writing by the manufacturer. Replacement parts must be identical to those used in the original circuits. Services should be performed by qualified personnel only.
- (2) Alterations of the design or circuitry of the product should not be made. Any design alterations of the product should not be made. Any design alterations or additions will void the manufacturer's warranty and will further relieve the manufacturer of responsibility for personal injury or property damage resulting therefrom.
- (3) Many electrical and mechanical parts in the products have special safety-related characteristics. These characteristics are often not evident from visual inspection nor can the protection afforded by them necessarily be obtained by using replacement components rated for higher voltage, wattage, etc. Replacement parts which have these special safety characteristics are identified in the Parts List of Service Manual. Electrical components having such features are identified by shading on the schematics and by (Δ) on the Parts List in the Service Manual. The use of a substitute replacement which does not have the same safety characteristics as the recommended replacement parts shown in the Parts List of Service Manual may create shock, fire, or other hazards.
- (4) The leads in the products are routed and dressed with ties, clamps, tubings, barriers and the like to be separated from live parts, high temperature parts, moving parts and/or sharp edges for the prevention of electric shock and fire hazard. When service is required, the original lead routing and dress should be observed, and it should be confirmed that they have been returned to normal, after reassembling.
- (5) Leakage shock hazard testing

After reassembling the product, always perform an isolation check on the exposed metal parts of the product (antenna terminals, knobs, metal cabinet, screw heads, headphone jack, control shafts, etc.) to be sure the product is safe to operate without danger of electrical shock. Do not use a line isolation transformer during this check.

 - Plug the AC line cord directly into the AC outlet. Using a "Leakage Current Tester", measure the leakage current from each exposed metal part of the cabinet, particularly any exposed metal part having a return path to the chassis, to a known good earth ground. Any leakage current must not exceed 0.5mA AC (r.m.s.).
 - Alternate check method
Plug the AC line cord directly into the AC outlet. Use an AC voltmeter having, 1,000 Ω per volt or more sensitivity in the following manner. Connect a 1,500 Ω 10W resistor paralleled by a 0.15 μ F AC-type capacitor between an exposed metal part and a known good earth ground. Measure the AC voltage across the resistor with the AC

voltmeter.

Move the resistor connection to each exposed metal part, particularly any exposed metal part having a return path to the chassis, and measure the AC voltage across the resistor. Now, reverse the plug in the AC outlet and repeat each measurement. Voltage measured any must not exceed 0.75 V AC (r.m.s.). This corresponds to 0.5 mA AC (r.m.s.).



1.2 Warning

- (1) This equipment has been designed and manufactured to meet international safety standards.
- (2) It is the legal responsibility of the repairer to ensure that these safety standards are maintained.
- (3) Repairs must be made in accordance with the relevant safety standards.
- (4) It is essential that safety critical components are replaced by approved parts.
- (5) If mains voltage selector is provided, check setting for local voltage.

1.3 Caution

Burrs formed during molding may be left over on some parts of the chassis.

Therefore, pay attention to such burrs in the case of pre-forming repair of this system.

1.4 Critical parts for safety

In regard with component parts appearing on the silk-screen printed side (parts side) of the PWB diagrams, the parts that are printed over with black such as the resistor (■), diode (■) and ICP (●) or identified by the " Δ " mark nearby are critical for safety. When replacing them, be sure to use the parts of the same type and rating as specified by the manufacturer. (This regulation does not Except the J and C version)

1.5 Preventing static electricity

Electrostatic discharge (ESD), which occurs when static electricity stored in the body, fabric, etc. is discharged, can destroy the laser diode in the traverse unit (optical pickup). Take care to prevent this when performing repairs.

1.5.1 Grounding to prevent damage by static electricity

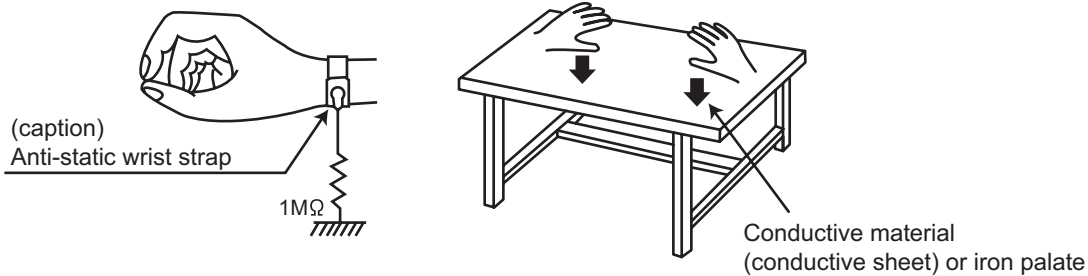
Static electricity in the work area can destroy the optical pickup (laser diode) in devices such as CD players. Be careful to use proper grounding in the area where repairs are being performed.

(1) Ground the workbench

Ground the workbench by laying conductive material (such as a conductive sheet) or an iron plate over it before placing the traverse unit (optical pickup) on it.

(2) Ground yourself

Use an anti-static wrist strap to release any static electricity built up in your body.



(3) Handling the optical pickup

- In order to maintain quality during transport and before installation, both sides of the laser diode on the replacement optical pickup are shorted. After replacement, return the shorted parts to their original condition. (Refer to the text.)
- Do not use a tester to check the condition of the laser diode in the optical pickup. The tester's internal power source can easily destroy the laser diode.

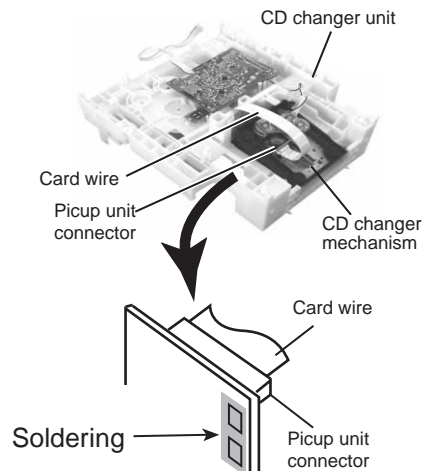
1.6 Handling the traverse unit (optical pickup)

- (1) Do not subject the traverse unit (optical pickup) to strong shocks, as it is a sensitive, complex unit.
- (2) Cut off the shorted part of the flexible cable using nippers, etc. after replacing the optical pickup. For specific details, refer to the replacement procedure in the text. Remove the anti-static pin when replacing the traverse unit. Be careful not to take too long a time when attaching it to the connector.
- (3) Handle the flexible cable carefully as it may break when subjected to strong force.
- (4) It is not possible to adjust the semi-fixed resistor that adjusts the laser power. Do not turn it.

1.7 Attention when traverse unit is decomposed

***Please refer to "Disassembly method" in the text for the CD pickup unit.**

- Apply solder to the short land sections before the flexible wire is disconnected from the connector on the CD servo board. (If the flexible wire is disconnected without applying solder, the CD pickup may be destroyed by static electricity.)
- In the assembly, be sure to remove solder from the short land sections after connecting the flexible wire.



SECTION 2
SPECIFIC SERVICE INSTRUCTIONS

This service manual does not describe SPECIFIC SERVICE INSTRUCTIONS.

SECTION 3 DISASSEMBLY

3.1 Main body

3.1.1 Removing the metal cover (See Fig. 1)

- (1) Remove the three screws **A** attaching the metal cover on the back of the body.
- (2) Remove the six screws **B** attaching the metal cover on both sides of the body.
- (3) Remove the metal cover from the body by lifting the rear part of the cover.

ONE POINT

How to eject the CD tray manually (see fig. 2)

Turn the loading pulley gear at the bottom of the CD changer unit as shown in Fig.2 and draw the CD tray toward the front.

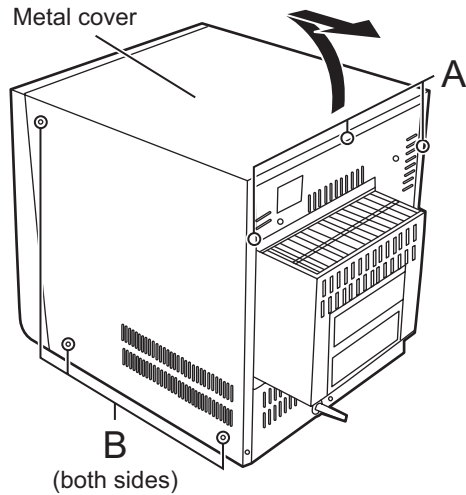


Fig.1

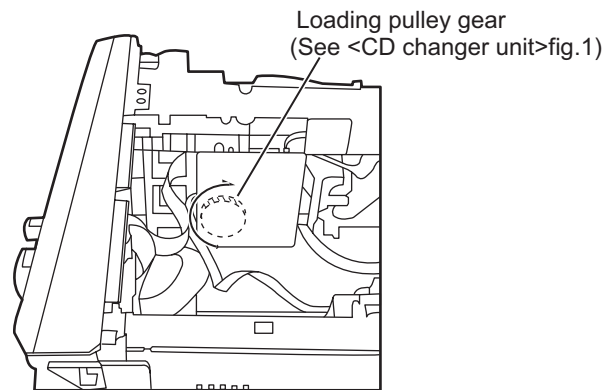


Fig.2

3.1.2 Removing the CD tray fitting (See Fig. 3)

- Prior to performing the following procedure, eject the CD tray.
 - (1) After drawing the lower part of the tray fitting toward the front, remove the five claws. Then, while moving the tray fitting upward, remove it.

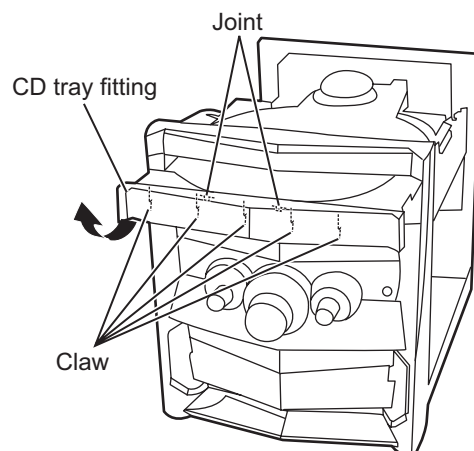


Fig.3

3.1.3 Removing the CD changer unit (See Fig. 4 to 7)

- Prior to performing the following procedure, remove the metal cover and CD tray fitting.
 - (1) Remove the card wire attached to CD changer unit on the adhesion tape.
 - (2) Disconnect the card wire from the connector [CW105](#) on the CD board.
 - (3) Disconnect the harness from the connector [CW104](#) on the main board.
 - (4) Remove the two screws **C** attaching the CD changer unit to the rear panel.
 - (5) Remove the two screws **D** attaching the CD changer unit to both sides of the front panel assembly.
 - (6) Draw the CD changer unit upward from behind while pulling the rear panel outward.

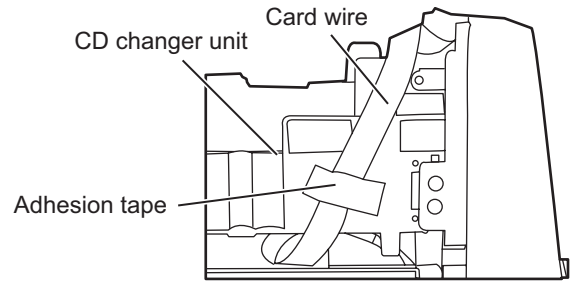


Fig.4

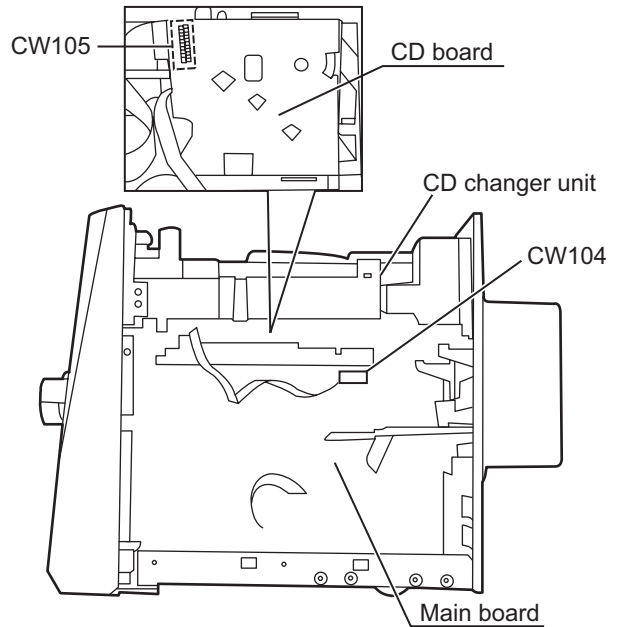


Fig.5

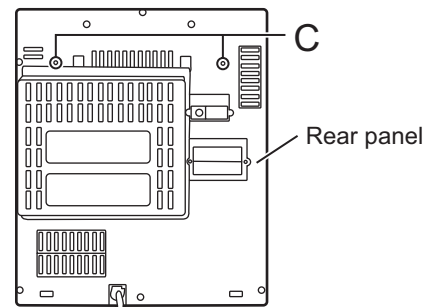


Fig.6

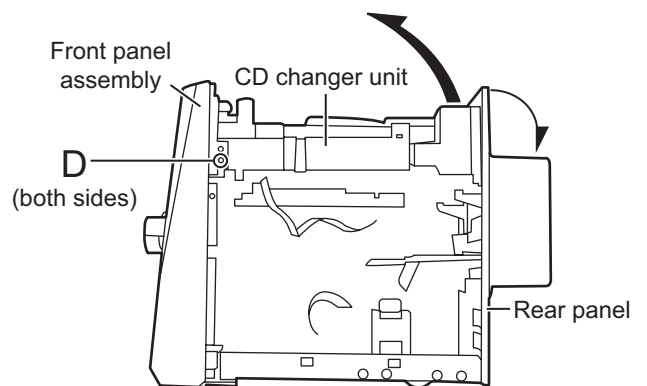


Fig.7

3.1.4 Removing the front panel assembly (See Fig. 8 to 10)

- Prior to performing the following procedure, remove the metal cover and CD changer unit.
 - (1) Disconnect the card wire from the connector [CW101](#) on the main board.
 - (2) Disconnect the harness from the connector [CW108](#), CW109 and CW110 on the main board.
 - (3) Remove the screw **E** fixing the lug wire.
 - (4) Remove the two screws **F** attaching the front panel assembly to both sides of the body.
 - (5) Remove the screw **G** attaching the main board to the front panel assembly.
 - (6) Remove the screw **H** attaching the front panel assembly to bottom of the body.
 - (7) Release the two joints1 and two joints2, and detach the front panel assembly toward the front.

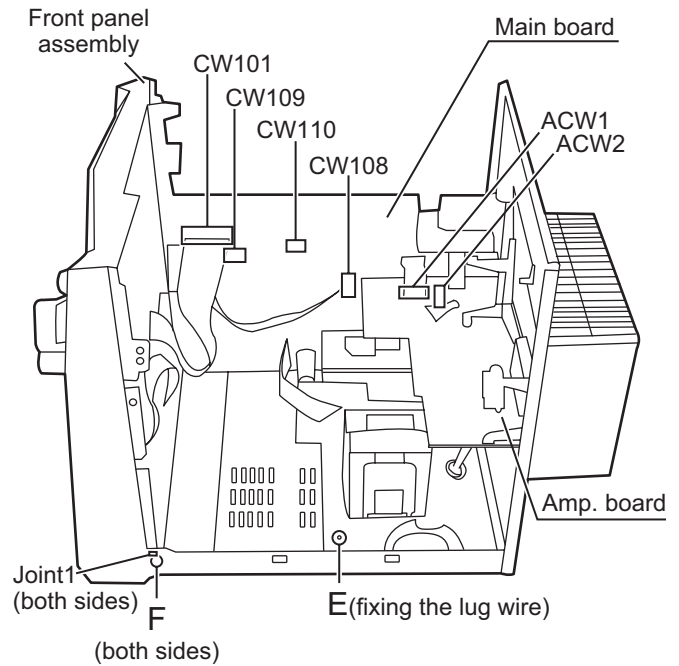


Fig.8

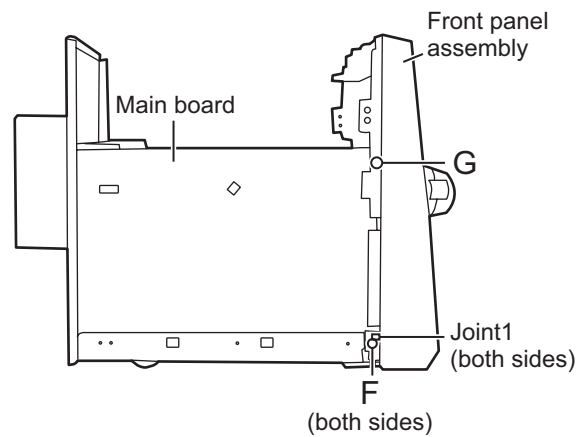


Fig.9

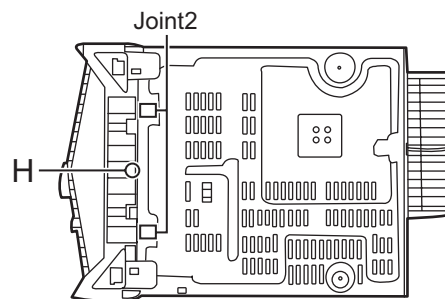


Fig.10

3.1.5 Removing the heat sink & amp. Board (See Fig. 8, 11 and 12)

- Prior to performing the following procedure, remove the metal cover and CD changer unit.
 - Disconnect the card wire from the connector [ACW1](#) and the harness from the connector [ACW2](#) on the amp. board.
 - Remove the four screws **I** attaching the heat sink cover to the rear panel. Remove the heat sink cover.
 - Remove the four screws **J** attaching the heat sink and two screws **K** attaching the speaker terminal to the rear panel.
 - After moving the heat sink upward, remove the claws. Then pull out the heat sink & amp. board inward.

3.1.6 Removing the tuner board (See Fig. 12 and 13)

- Prior to performing the following procedure, remove the metal cover.
 - Disconnect the card wire from the connector [CON01](#) on the tuner board.
 - Remove the two screws **L** attaching the tuner board to the rear panel.

3.1.7 Removing the rear panel (See Fig. 12)

- Prior to performing the following procedure, remove the metal cover, CD changer unit, heat sink & amp. board and tuner board.
 - Remove the screw **M** and three screws **N** attaching the rear panel.

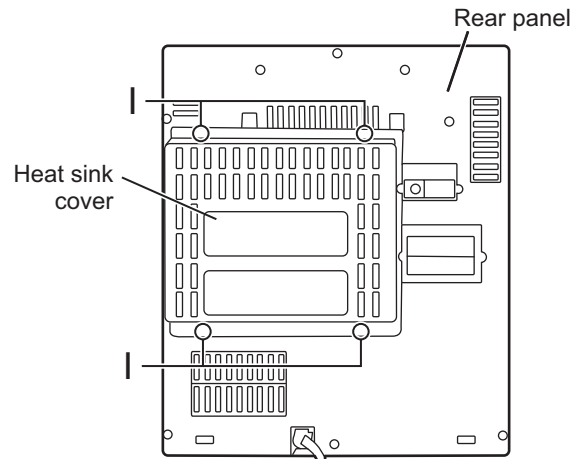


Fig.11

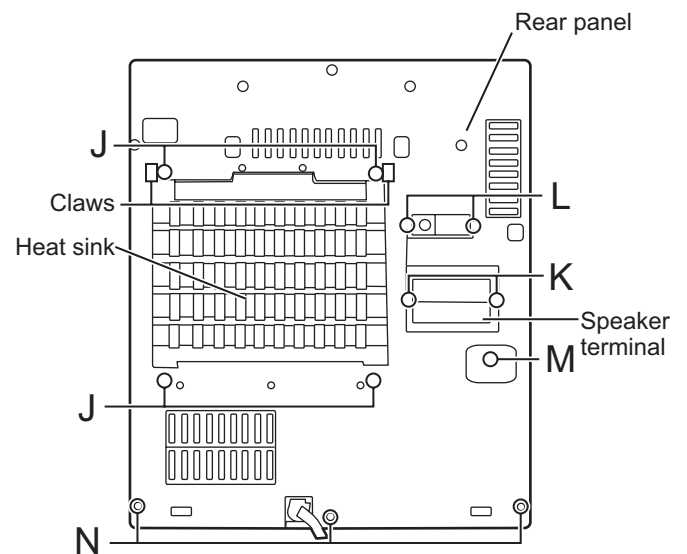


Fig.12

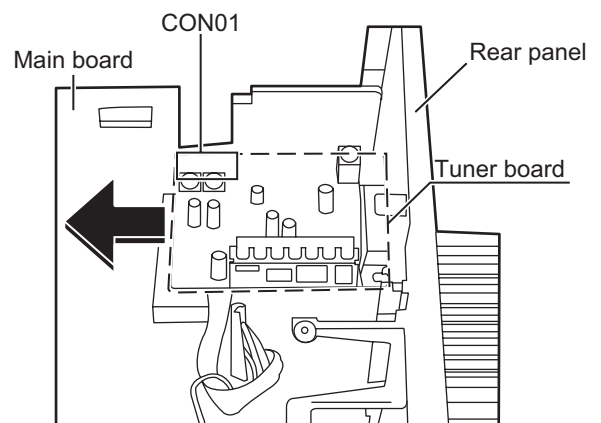


Fig.13

3.1.8 Removing the main board (See Fig. 14)

- Prior to performing the following procedure, remove the metal cover, CD changer unit and rear panel.
 - (1) Disconnect the card wire from the connector [CW101](#) and the harness from the connector [CW108](#), [CW109](#) and [CW110](#) on the main board.
 - (2) Disconnect the harness from the connector [PCW1](#) on the fuse board.
 - (3) Remove the screw **G** attaching the main board to the front panel assembly. (See Fig.9)
 - (4) Remove the two screws **O** attaching the heat sink to the bottom chassis.

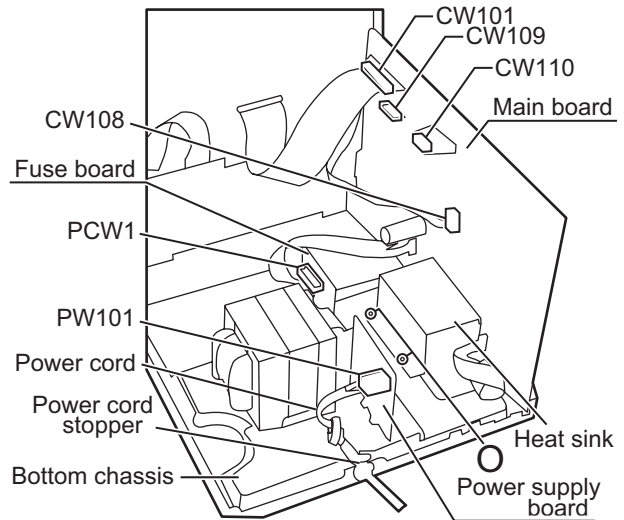


Fig.14

3.1.9 Removing the power cord (See Fig. 14)

- Prior to performing the following procedure, remove the metal cover, CD changer unit and rear panel.
 - (1) Disconnect the power cord from the connector [PW101](#) on the power supply board and pull up the power cord stopper upward.

3.1.10 Removing the power ICs (See Fig. 15 and 16)

- Prior to performing the following procedure, remove the metal cover, CD changer unit and heat sink & amp. board.
 - (1) Unsolder the power ICs solder points.
 - (2) Remove the four screws **P** attaching the power ICs to the heat sink.

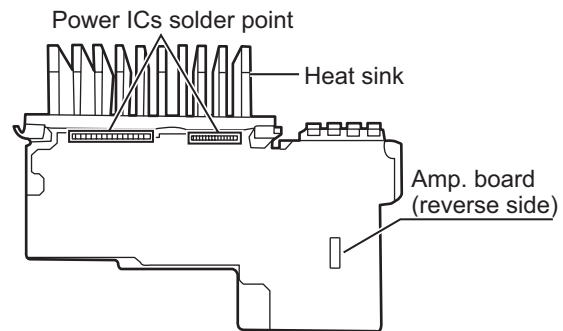


Fig.15

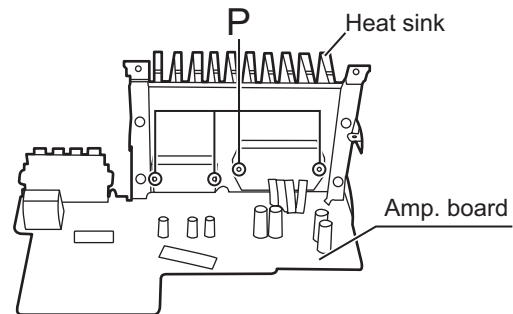


Fig.16

3.1.11 Removing the power transformer (See Fig. 17)

- Prior to performing the following procedure, remove the metal cover, CD changer unit and heat sink & amp. board.
 - (1) Disconnect the power cord from the connector [PW101](#) on the power supply board.
 - (2) Disconnect the harness from the connector [PCW1](#) on the fuse board.
 - (3) Remove the four screws **Q** attaching the power transformer on the bottom chassis.

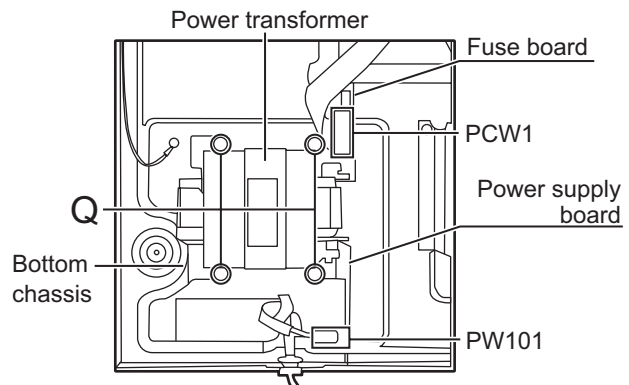


Fig.17

3.2 Front panel assembly

- Prior to performing the following procedure, remove the front panel assembly.

3.2.1 Removing the CD switch board (See Fig. 1)

- (1) Disconnect the card wire from the connector [UCW03](#) on the CD switch board.
- (2) Remove the four screws **A** attaching the CD switch board.

3.2.2 Removing the front board (See Fig. 1 and 2)

- (1) Pull out the sound mode knob, volume knob, and preset knob from the front side of front panel assembly.
- (2) Disconnect the card wire from the connector [UCW02](#) on the front board and the connector on the mecha. board.
- (3) Remove the fourteen screws **B** attaching the front board.
- (4) Disconnect the card wire from the connector [UCW01](#) on the front board.

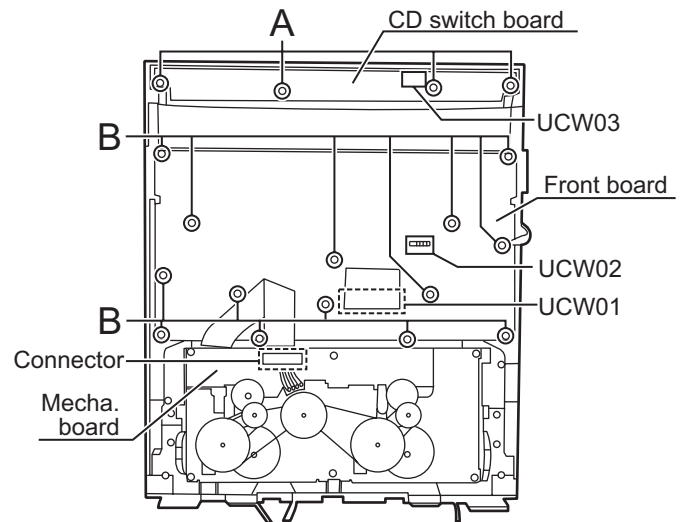


Fig.1

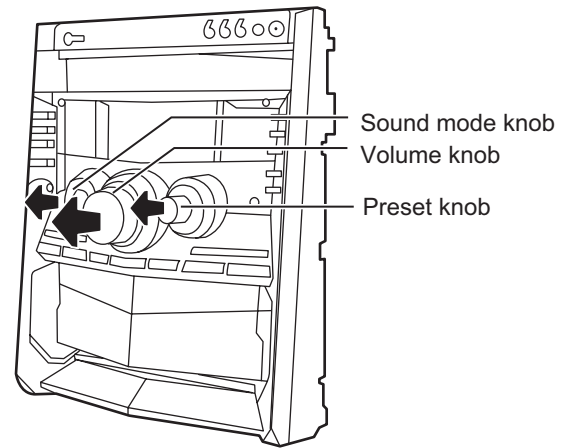


Fig.2

3.2.3 Removing the headphone jack board (See Fig. 3)

- Prior to performing the following procedure remove the front board.

- (1) You can pull out the headphone jack board.

3.2.4 Removing the cassette mechanism assembly (See Fig. 3)

- (1) Disconnect the card wire from the connector on the mecha. board.
- (2) Remove the six screws **C** attaching the cassette mechanism assembly.

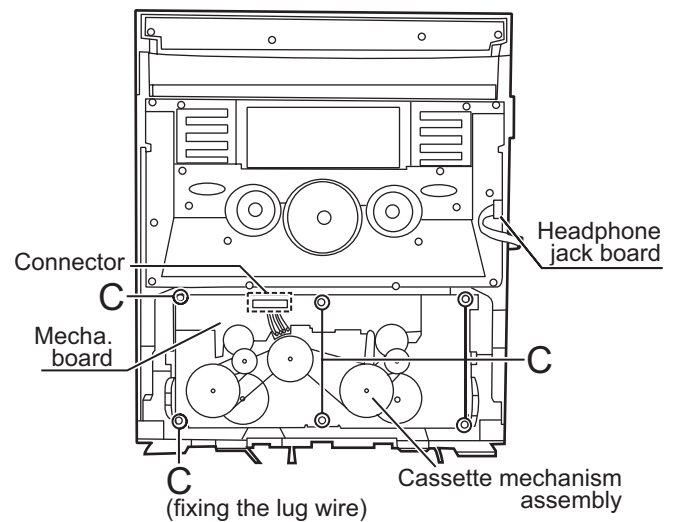


Fig.3

3.3 CD changer unit

- Prior to performing the following procedure, remove the CD changer unit.

3.3.1 Removing the CD tray (See Fig. 1 and 2)

- (1) Turn the black loading pulley gear on the under side of the CD changer unit in the direction of the arrow and draw the CD tray toward the front until it stops.
- (2) Disconnect the card wire from connector [CW103](#) on the CD board.
- (3) Push down the two tray stoppers marked a and pull out the CD tray.

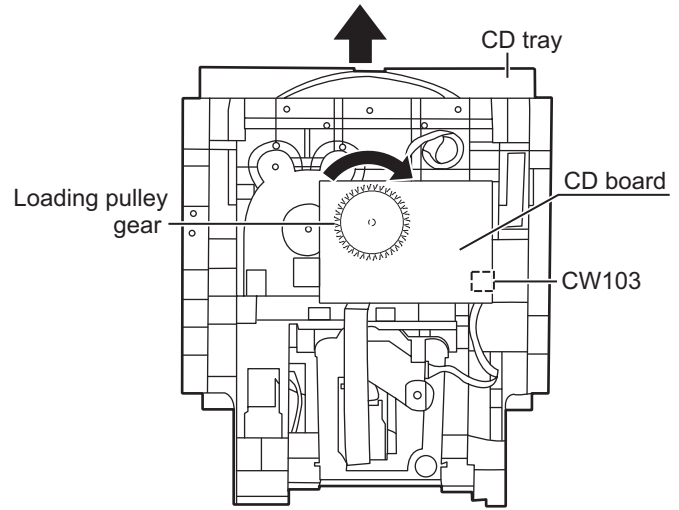


Fig.1

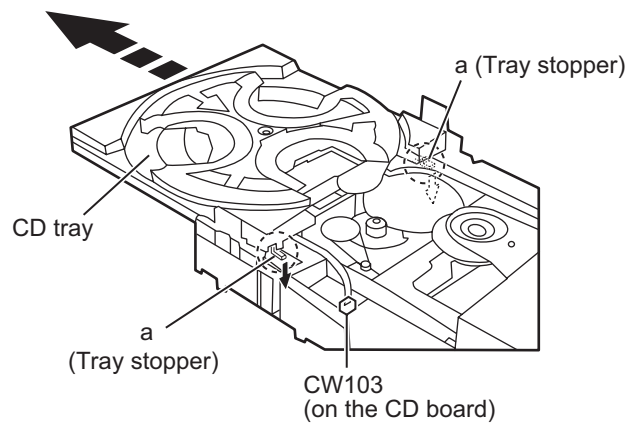


Fig.2

3.3.2 Reinstall the CD tray (See Fig. 3 and 4)

- (1) Align the gear-cam with the gear-tray as shown fig.3, then mount the CD tray.
- (2) When assembling the CD tray, take extreme care not engage with gear - synchro.

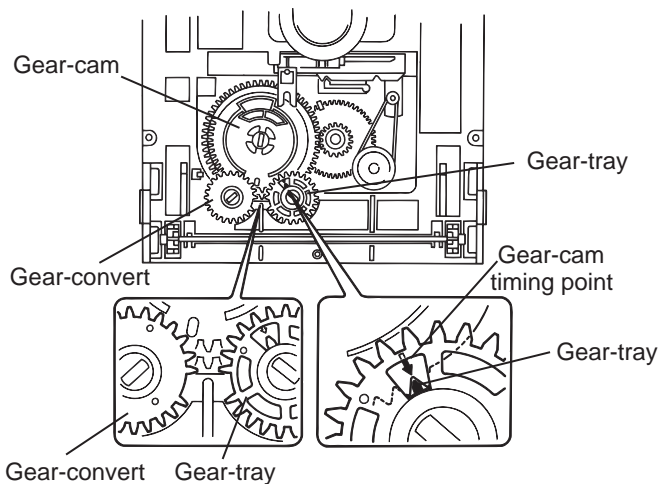


Fig.3

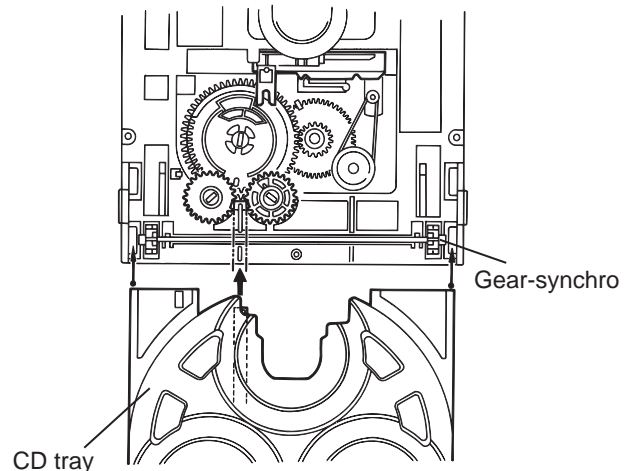
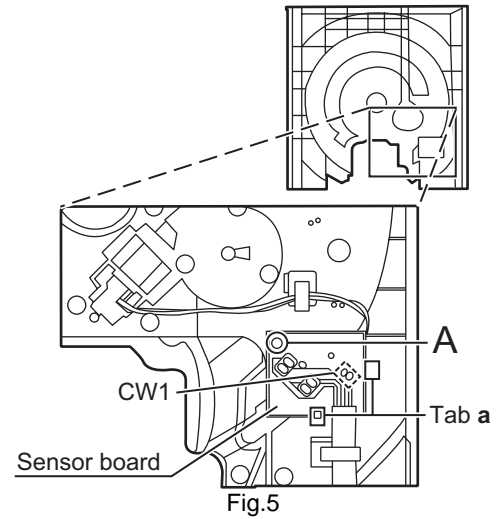


Fig.4

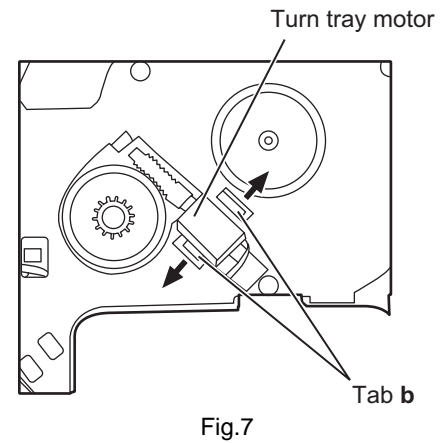
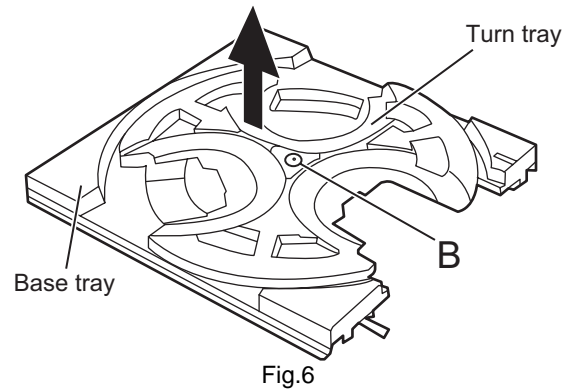
3.3.3 Removing the sensor board (See Fig. 5)

- Prior to performing the following procedure, remove the CD tray.
 - (1) Remove the screw **A** attaching the sensor board on the CD tray.
 - (2) Remove the sensor board releasing the two tabs **a**.
 - (3) Disconnect the harness from the connector **CW1** on the sensor board.



3.3.4 Removing the turn tray motor (See Fig. 6 and 7)

- Prior to performing the following procedure, remove the CD tray and sensor board.
 - (1) Remove the screw **B** attaching the turn tray. Detach the turn tray from the base tray.
 - (2) Pull outward the tab **b** attaching the turn tray motor on the base tray and detach the turn tray motor.



3.3.5 Removing the belt, the CD board and the switch board

(See Fig. 8 and 9)

- Prior to performing the following procedure, remove the CD tray.

- (1) Detach the belt from the pulley on the upper side of the CD changer unit (Do not stain the belt with grease).
- (2) Disconnect the card wire from the pickup unit connector on the under side of the CD changer unit.

Attention :

Solder is put up before the card wire is removed from the pick-up unit connector on the CD mechanism assembly. (When the card wire is removed without putting up solder, the CD pick-up unit assembly might destroy.)

- (3) Disconnect the motor wire harness from connector on the CD board.
- (4) Remove the screw **C** attaching the switch board and release the two tabs **e** attaching the switch board outward and detach the switch board.
- (5) Remove the two screws **D** attaching the CD board. First release the two tabs **f** and two tabs **g** attaching the motor, then release the CD board.

* If the tabs **f** and **g** are hard to release, it is recommendable to unsolder the two soldered parts on the motor terminal of the CD board.

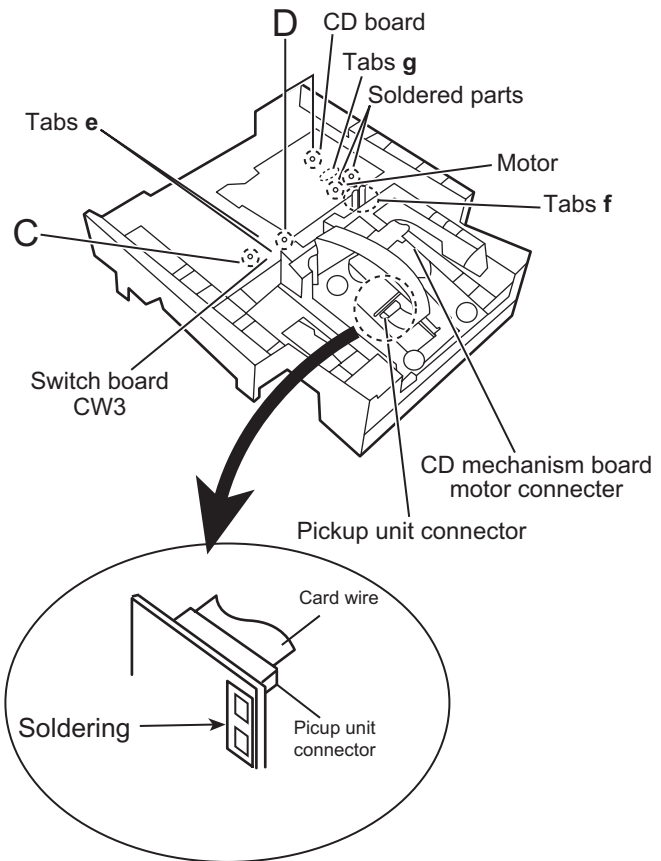
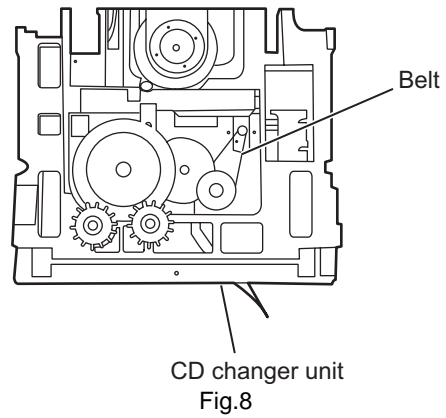


Fig.9

3.3.6 Removing the CD mechanism holder assembly (mechanism included)

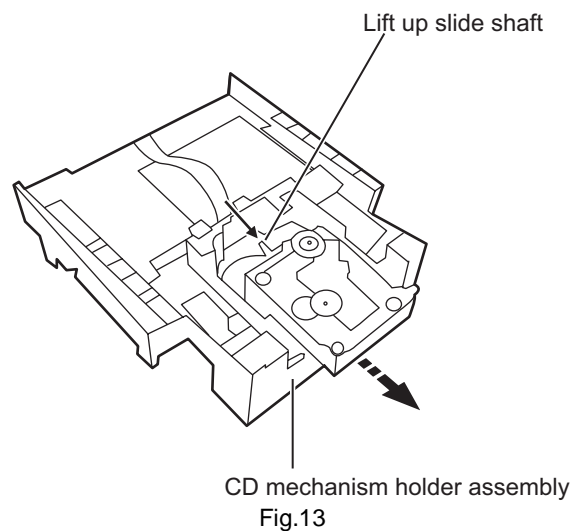
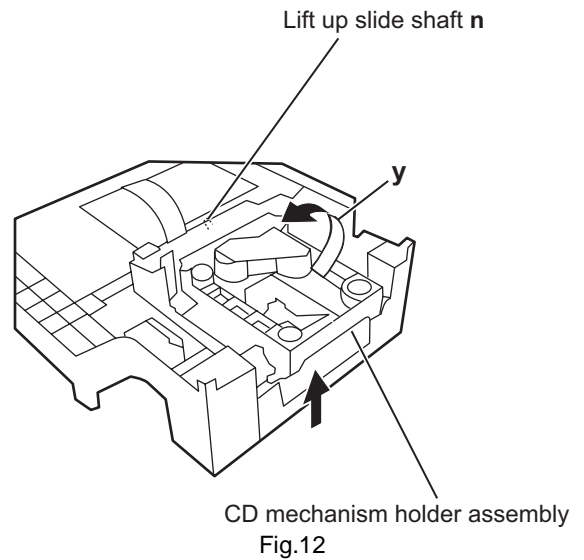
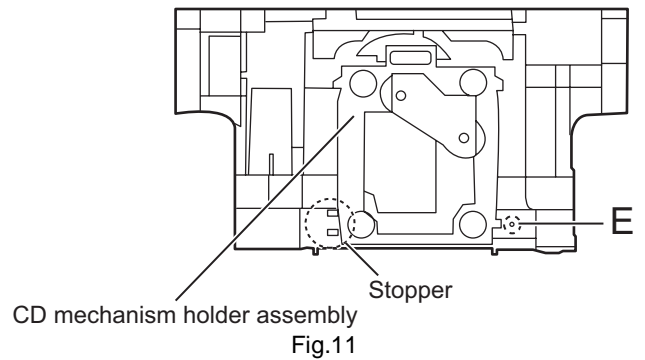
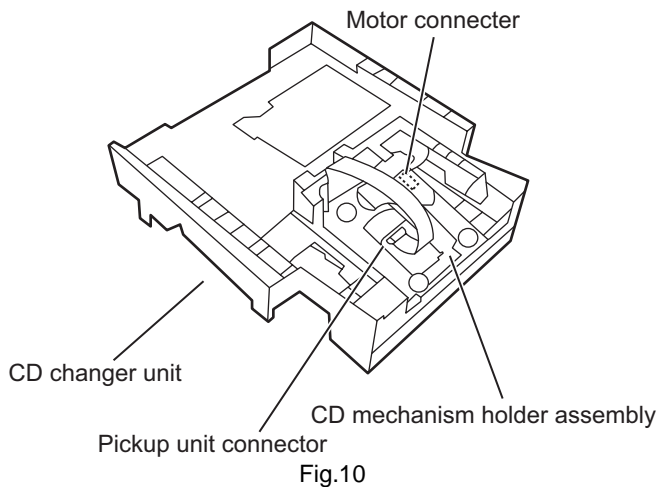
(See Fig. 10 to 13)

- (1) Disconnect the harness from connector on the CD mechanism board in the CD mechanism assembly on the under side of the CD changer unit. Disconnect the card wire from the pickup unit connector.

Attention :

Solder is put up before the card wire is removed from the pick-up unit connector on the CD mechanism assembly. (Refer to Fig.9) (When the card wire is removed without putting up solder, the CD pick-up unit assembly might destroy.)

- (2) Remove the screw **E** attaching the shaft on the right side of the CD mechanism holder assembly. Pull outward the stopper fixing the shaft on the left side and remove the CD mechanism holder assembly from behind in the direction of the arrow **y**.
- (3) Turn the CD mechanism holder assembly half around the lift up slide shaft **h** of the CD mechanism holder assembly until the turn table is reversed, and pull out the CD mechanism holder assembly.



3.4 CD mechanism section

- Removing the CD mechanism holder from the CD chager unit.
(Refer to "Removing the CD mechanism holder assembly")

3.4.1 Removing the pickup unit (See Fig. 1)

- (1) Removing the cut washer on the feed gear sleeve and pull out the feed gear.
- (2) Remove the two screws **A** fixing the pickup shaft.
- (3) Removing the pickup unit.

3.4.2 Removing the motor board (See Fig. 2)

- (1) Unsolder the motor terminal on the motor board.
- (2) Remove the moter board.

3.4.3 Removing the feed motor (See Fig. 1)

- (1) Remove the two motor fixing screws at **B** and removing the feed motor.

3.4.4 Removing the spindle motor

- The spindle motor cannot be removed as a single unit.
- When removing the spindle motor, change the chasis and turntable together as a unit.

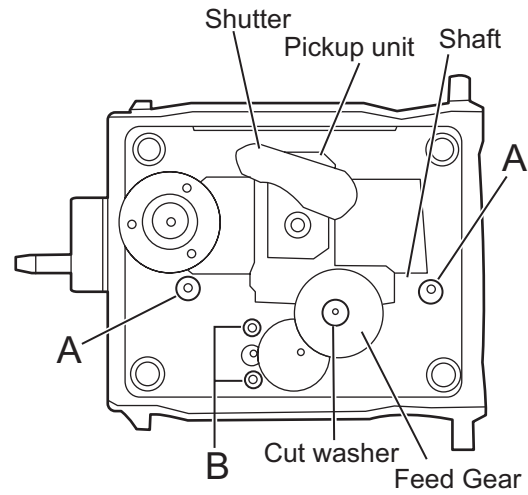


Fig.1

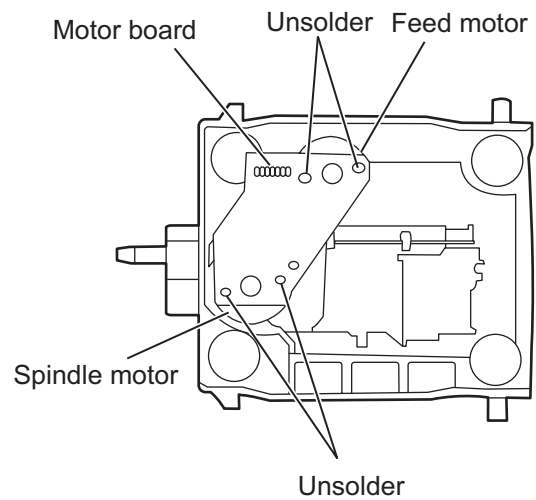


Fig.2

3.5 Cassette mechanism section

- Prior to performing the following procedure, remove the cassette mechanism assembly.

3.5.1 Removing the R/P head. (See Fig. 1 and 2)

- (1) Remove the screw **A** on the right side of the R/P head.
- (2) Remove the screw **B** on the left side of the R/P head.

3.5.2 Remove the erase head. (See Fig. 1)

- (1) Remove the screw **C** fixing the erase head.

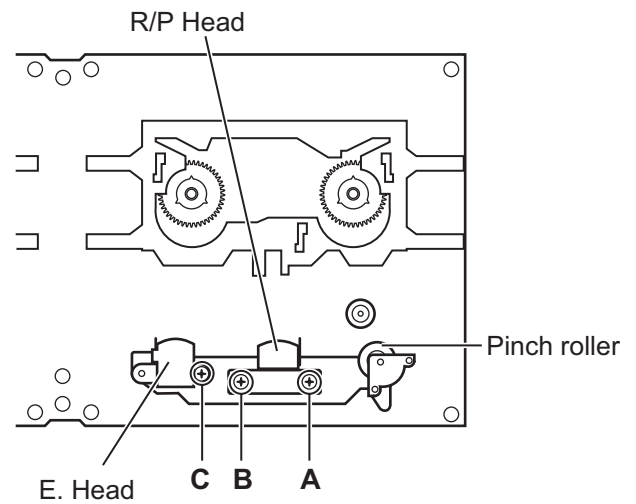


Fig.1

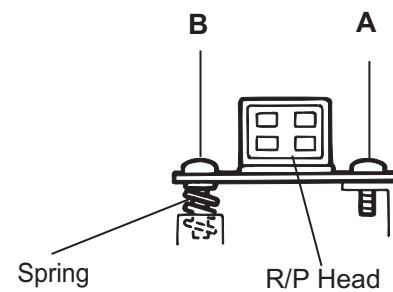


Fig.2

3.5.3 Remove the pinch roller. (See Fig. 3)

- (1) Pull out the pinch roller stopper.
- (2) Pull out the pinch roller.

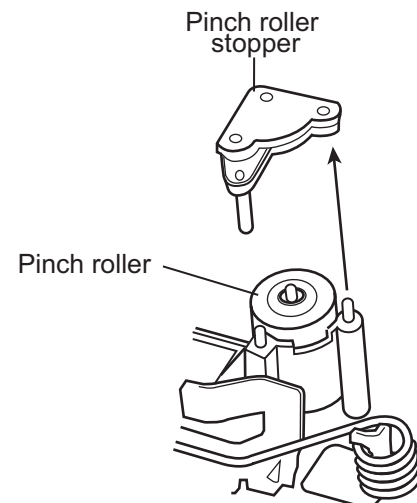


Fig.3

3.5.4 Removing the motor
(See Fig. 4 to 6)

- (1) Slide the plastic cover in the direction of the arrow, and remove the three claws. Then remove the plastic cover.
- (2) Remove the two screws **D** fixing the motor. Be careful to grease's splash when the drive belt comes off.
- (3) Unsolder the motor terminal.

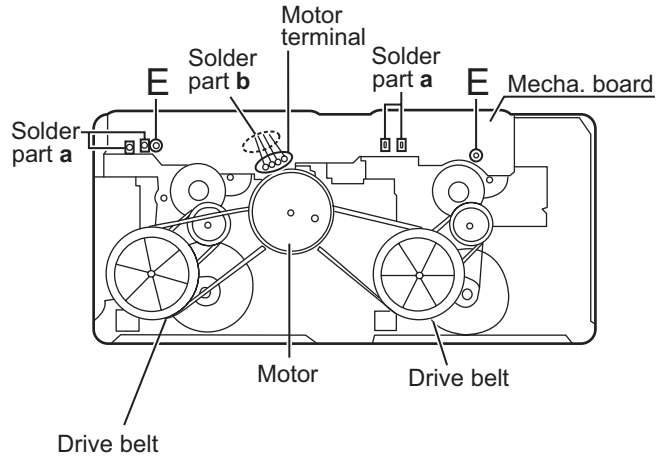


Fig.5

3.5.5 Removing the mechanism board
(See Fig. 5)

- (1) Unsolder the four solder parts **a** and the four solder parts **b**.
- (2) Remove the two screws **E** attaching the mecha. board.

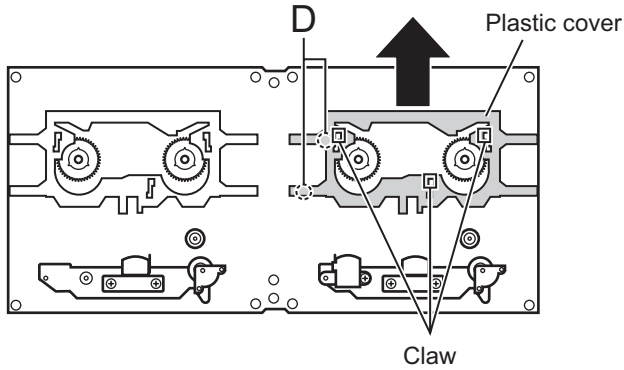


Fig.4

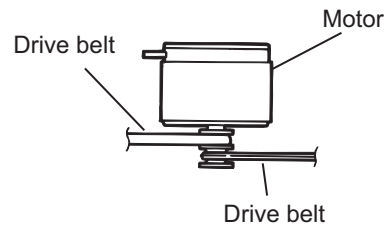


Fig.6

3.5.6 Removing the flywheel
(See Fig. 7 and 9)

- (1) Remove the cut-washer at **c** from the capstan shaft, then remove the flywheel.
- When reassembling the flywheel, be sure to use new washers as they cannot be reused.

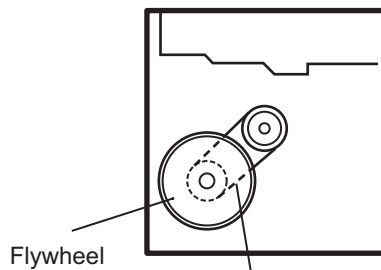


Fig.8

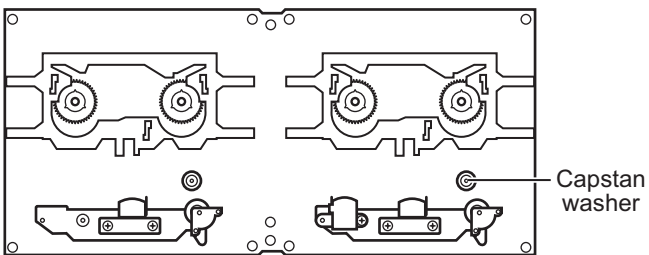


Fig.7

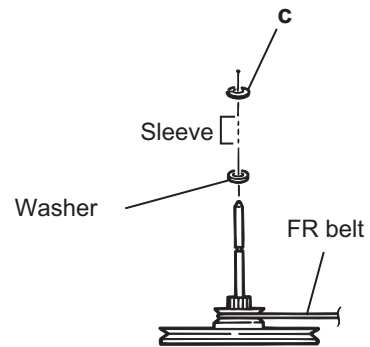


Fig.9

3.6 Speaker section

- It is exchange in a unit.
Please do not decompose as much as possible.

3.6.1 Removing the side panel (See Fig. 1)

- (1) Remove the five screws **A** attaching the side panel and remove the side panel.

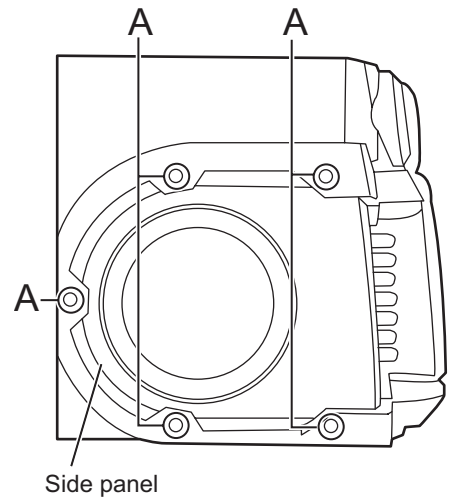


Fig.1

3.6.2 Removing the side speaker (See Fig. 2 and 3)

- Prior to performing the following procedure, remove the side panel.
 - (1) Remove the four screws **B** attaching the side speaker.
 - (2) Pull out the side speaker and remove the speaker cord from the speaker terminal.

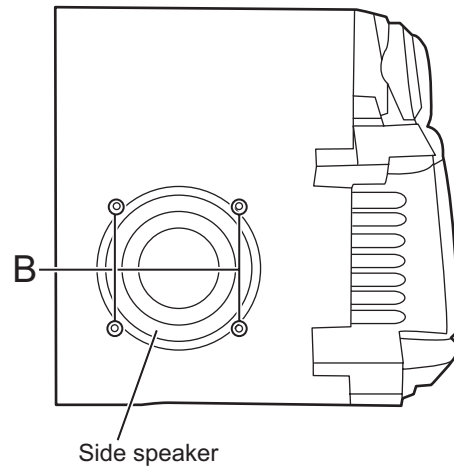


Fig.2

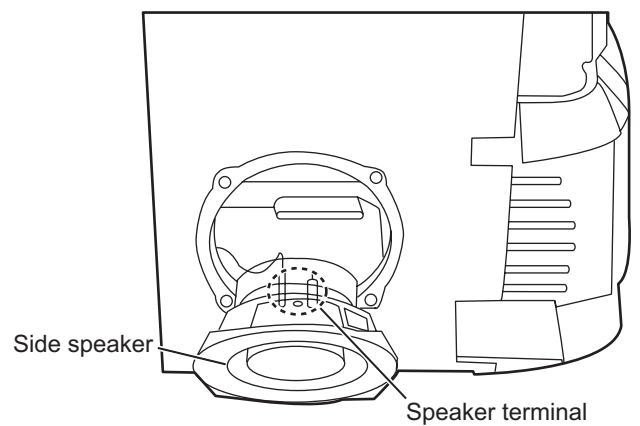
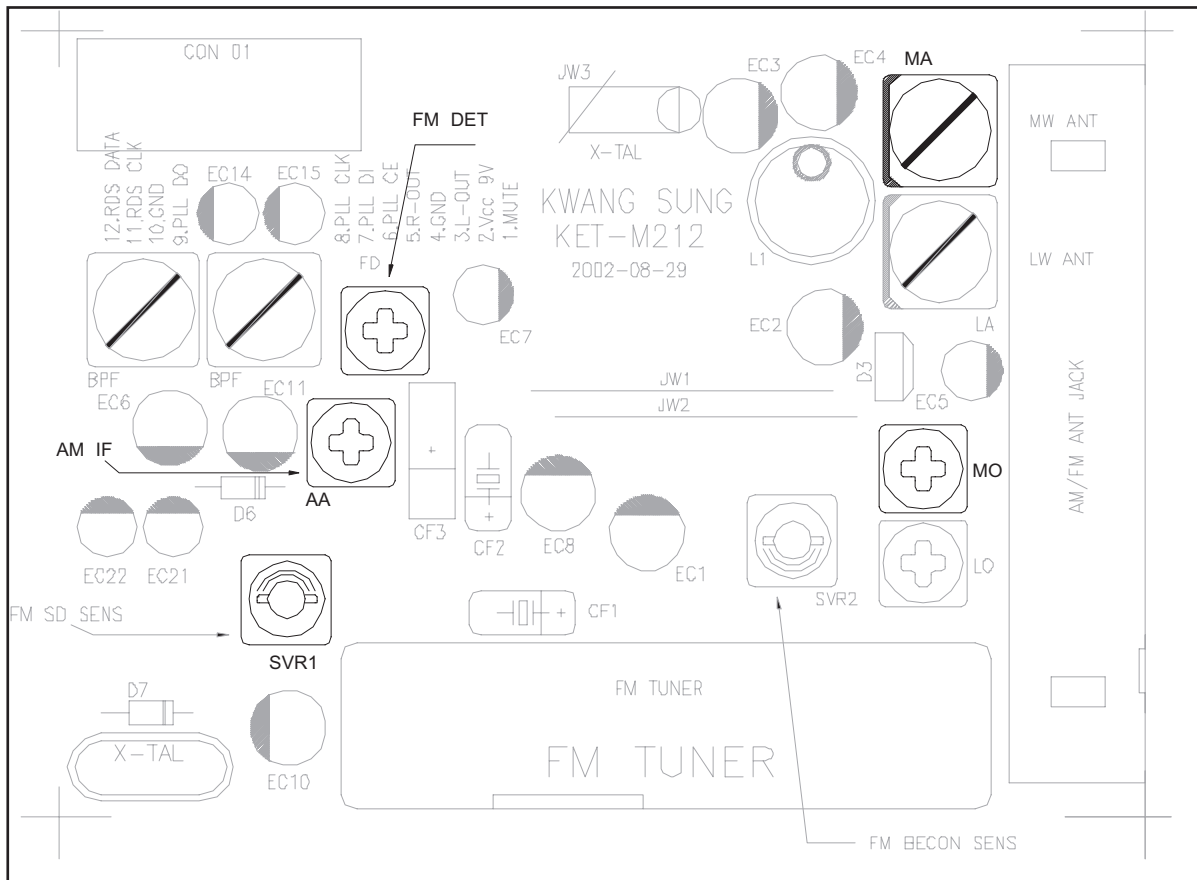


Fig.3

SECTION 4 ADJUSTMENT

4.1 Alignment and Adjustments

4.1.1 Tuner



* Adjustment Location of Tuner PCB

ITEAM	AM(MW) OSC Adjustment	AM(MW) RF Adjustment
Received FREQ.	522~1611 KHz	594 KHz
Adjustment point	MO	MA
Output	1~7.0±0.5V	Maximum Output(Fig1-4)

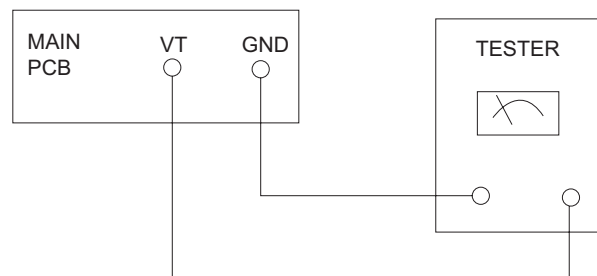


Fig 1-4 OSC Voltage

FM THD Adjustment	
SSG FREQ.	98 MHz
Adjustment point (FM DET)	FM DETECTOR COIL
Output	60 dB
Minimum Distortion (0.4% below) (Figure 1-1)	

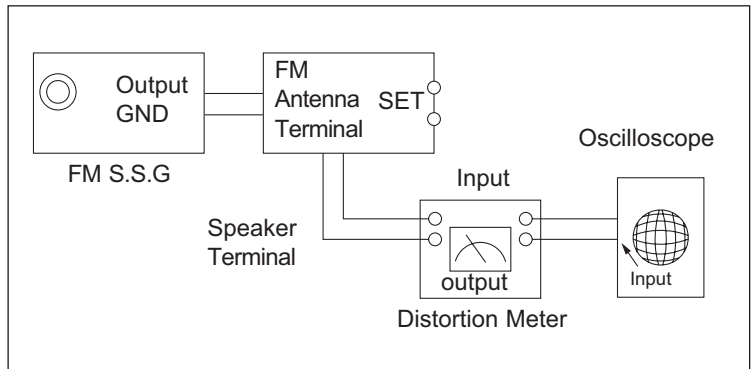


Figure1-1 IF CENTER and THD Adjustment

FM Search Level Adjustment	
SSG FREQ.	98 MHz
Adjustment point (SVR1)	BEACON SENSITIVITY SEMI-VR(10KΩ)
Output	28 dB(±2dB)
Adjust SVR1 (Figure 1-2)	

*Adjust FM S.S.G level to 28dB

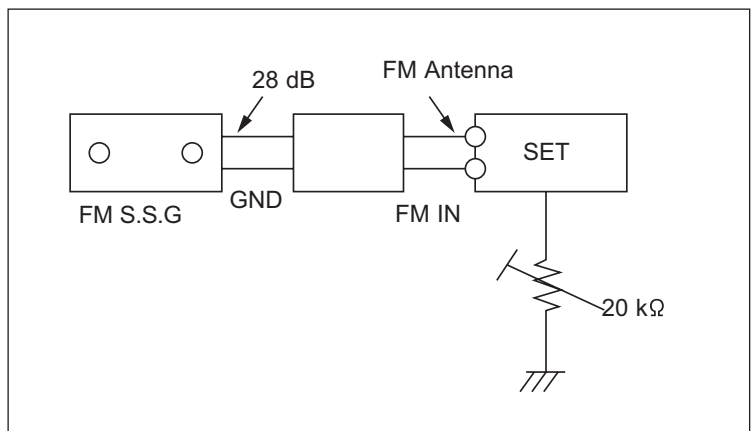


Figure1-2 FM Auto Search Level Adjustment

AM(MW) I.F Adjustment	
SSG FREQ.	450 kHz
Frequency	522 kHz
Adjustment point	AM IF
Maximum output (Figure 1-3)	

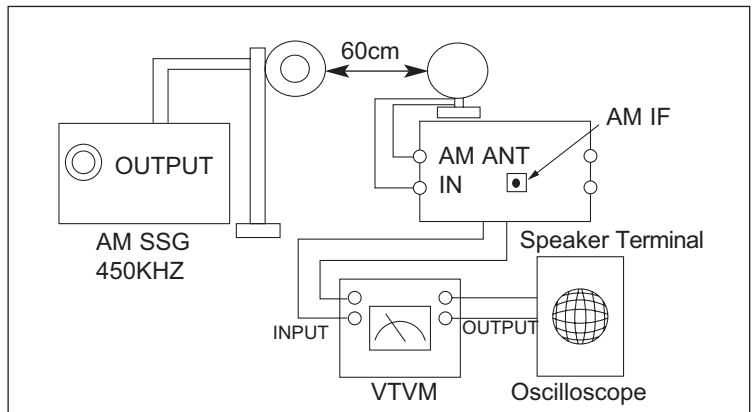


Figure1-3 AM I.F Adjustment

4.1.2 Cassette Deck

■ To Adjust Tape Speed

Notes

- 1) Measuring tape: i) MTT-111 (or equivalent)
(Tapes recorded with 3kHz)
ii) MTT-5512 (or equivalent)
- 2) Connect the SPK OUT of the MAIN PCB to the frequency counter as in figure 1-5.

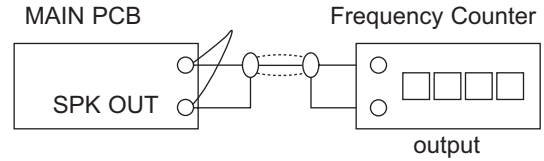


Figure 1-5

Step	Item	Pre-Setup Condition	Pre-Setup	To Adjust	Standard	Remark
1	NOR SPEED Control	SPK OUT (connected to the frequency counter)	1) Deck 1: MTT-111 2) Press PLAY SW button 3) Deck 2: Same as above	Turn VSR1 to left and right (FRONT PCB)	3KHz	± 1% range

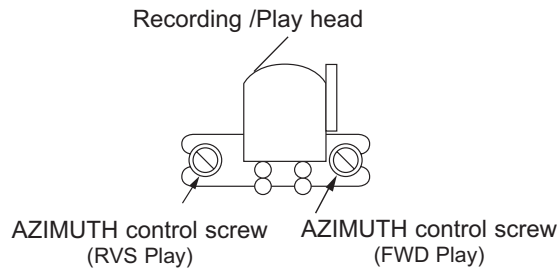


Figure 1-6

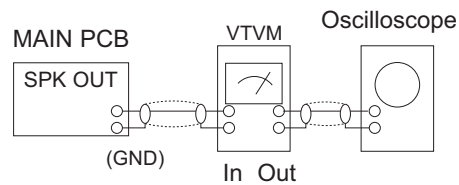


Figure 1-7

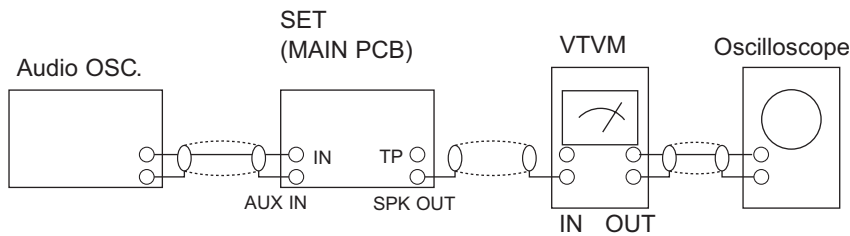


Figure 1-8

■ To Adjust PlayBack Level/REC

Notes
1) Before the actual adjustment, clean the play/recording head. 2) Measuring tape : i) MTT-114N(or equivalent 10kHz AZIMUTH control) ii) MTT-5512 3) The cassette deck is connections as shown in figure 1-7.

1. Adjust Deck 1 Play Level

Step	Item	Pre-Setup Condition	Pre-Setup	To Adjust	Standard	Remark
1	AZIMUTH	SPK OUT (VTVM is connected to the scope)	After putting MTT-114N into Deck 1 - Press FWD PLAY button.	- Turn the control screw to as shown in Figure 1-6	Max output and same phase (both channels)	After adjustment secure it with REGION LOCK.

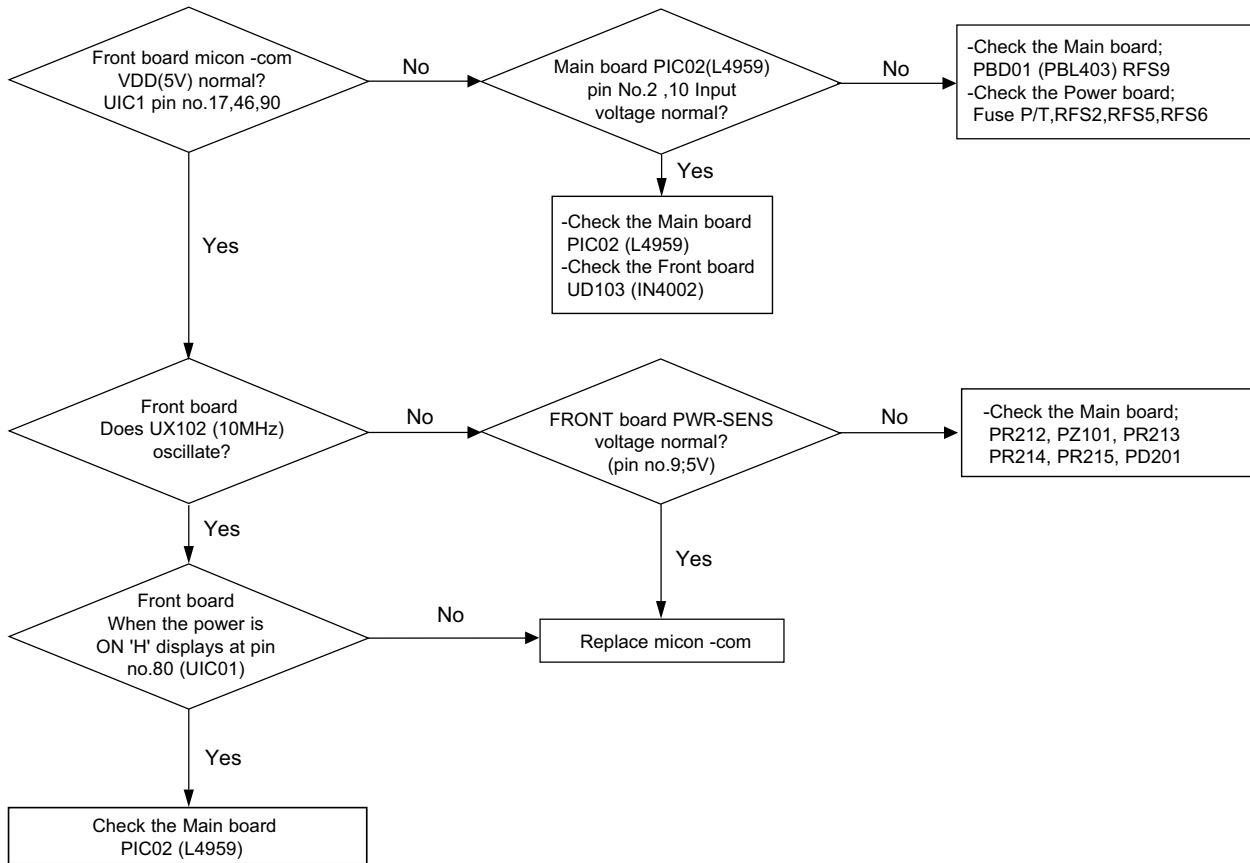
2. Adjust Desk 2 Play Level/ REC BIAS

Step	Item	Pre-Setup Condition	Pre-Setup	To Adjust	Standard	Remark
1	AZIMUTH	SPK OUT (VTVM is connected to the scope)	After putting MTT-114N into Deck 2 - Press FWD PLAY button.	- Turn the control screw to as shown in Figure 1-6	MAX OUTPUT and same phase (both channels)	After adjustment secure it with REGION LOCK.
2	Recording Bias Voltage	Fig 1-8	After putting MTT-5512 into Deck 2 1) Press REC PLAY button. 2)TAPE PCB JCW3 ,connected to VTVM	- Turn JSR2L,JSR2R to the right and left	CHECK TO 7mV(± 0.5mV)	

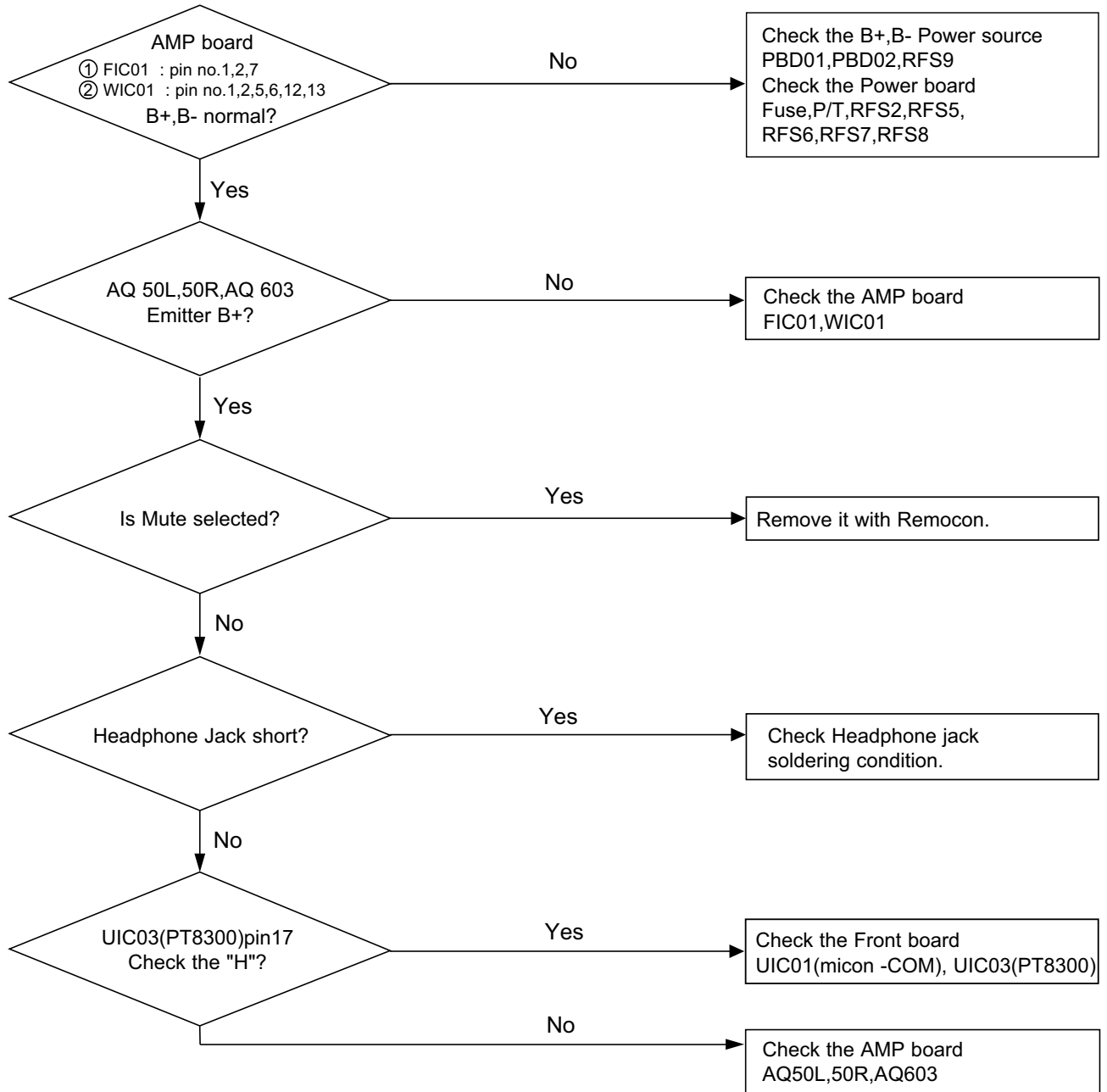
SECTION 5 TROUBLESHOOTING

5.1 Amplifier

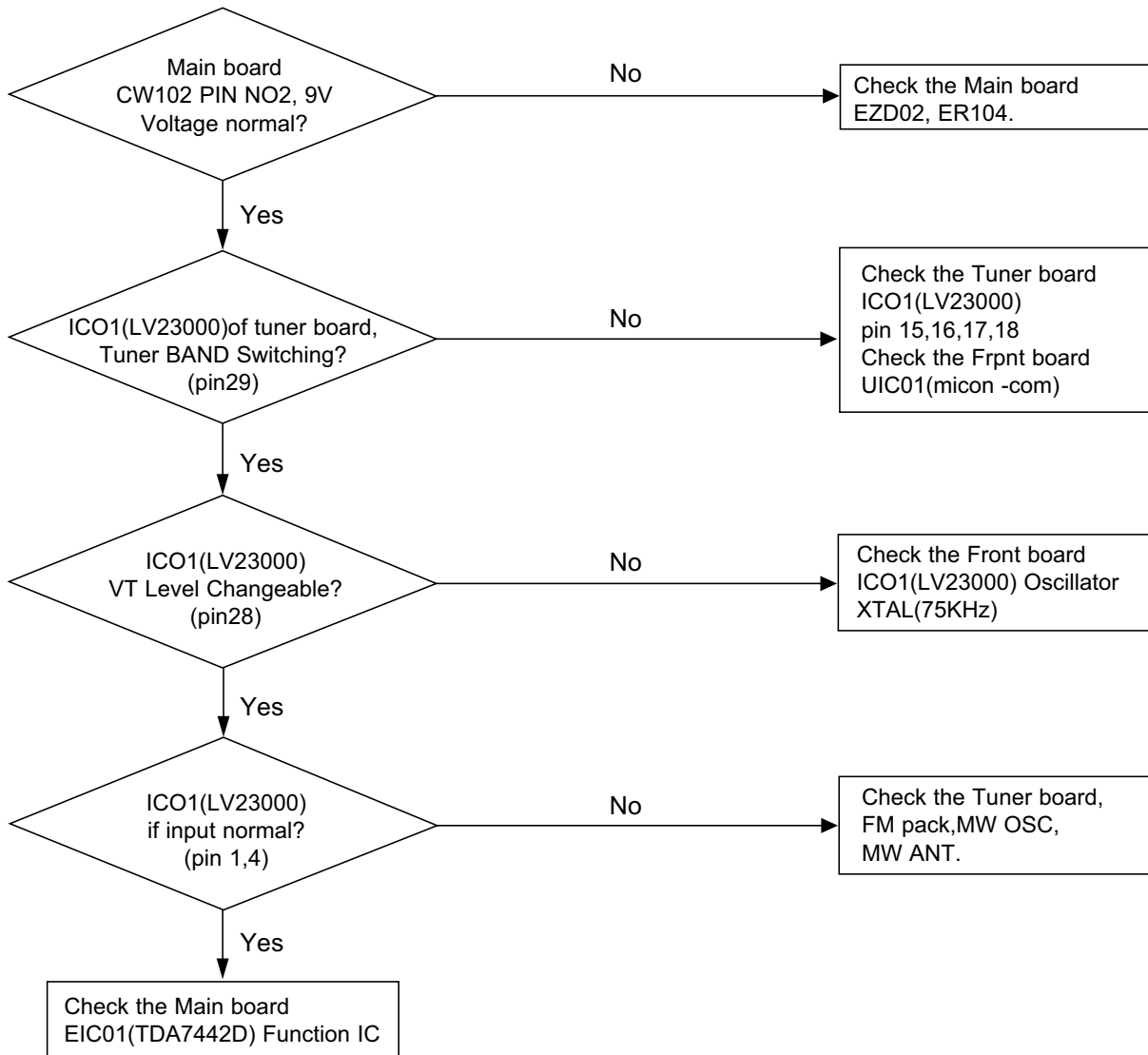
Power Malfunction : COMMON



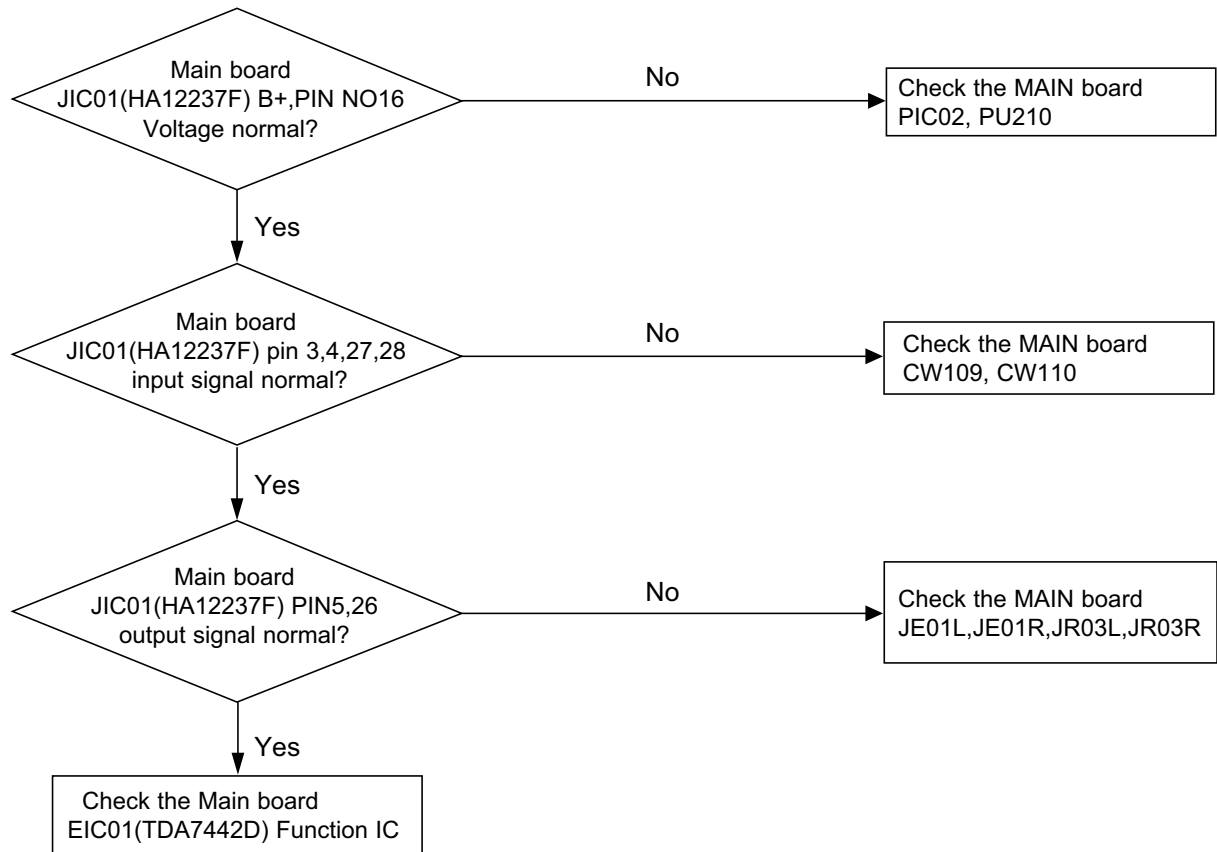
No Output : MXGA7/GA8



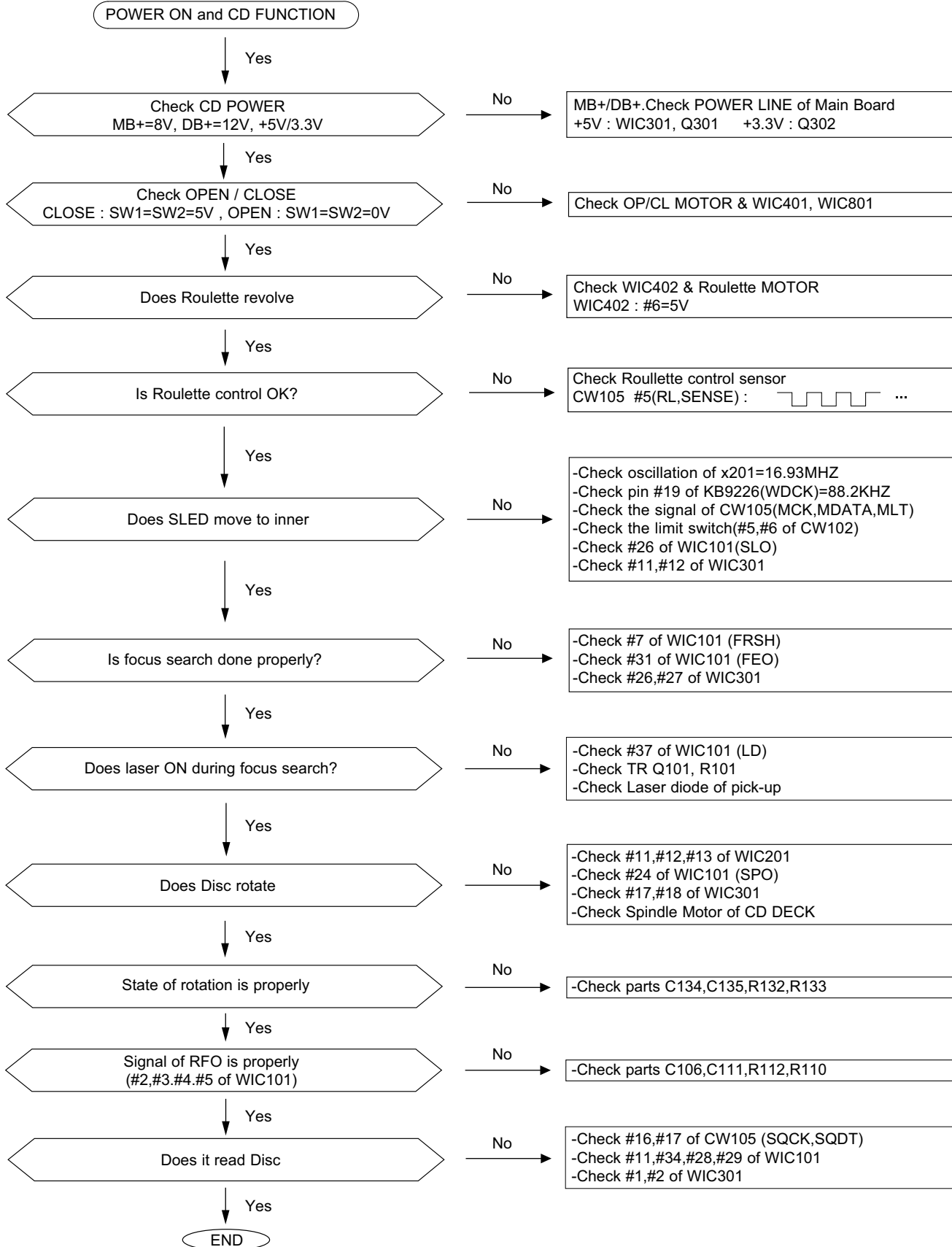
5.2 Tuner Malfunction(FM/AM) : COMMON



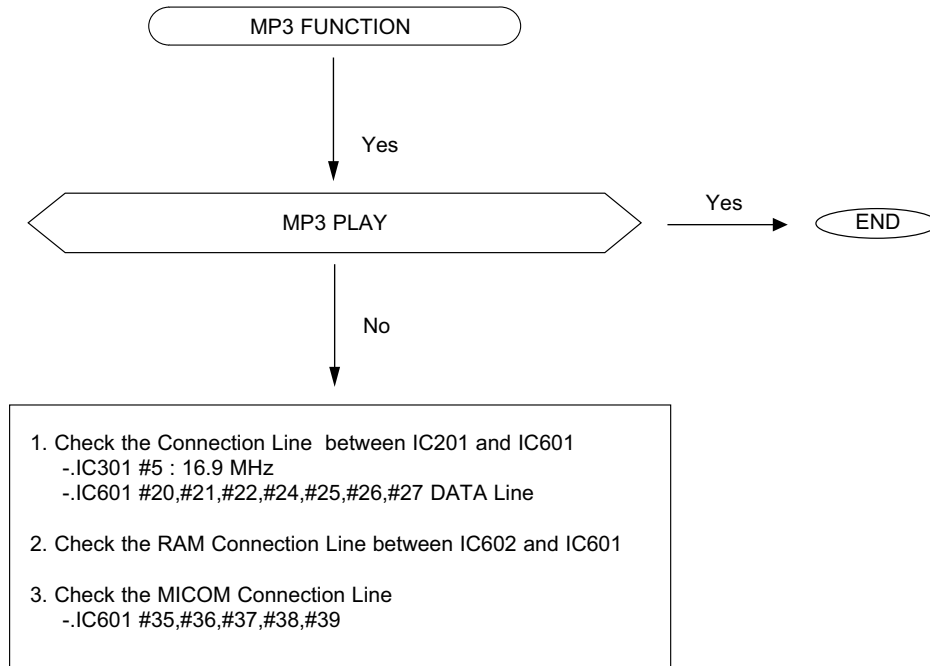
5.3 Tape : COMMON



5.4 CD
COMMON



MP3 Parts





JVC

VICTOR COMPANY OF JAPAN, LIMITED

AV & MULTIMEDIA COMPANY AUDIO/VIDEO SYSTEMS CATEGORY 10-1,1chome,Ohwatari-machi,Maebashi-city,371-8543,Japan

(No.MB080)



Printed in Japan
WPC

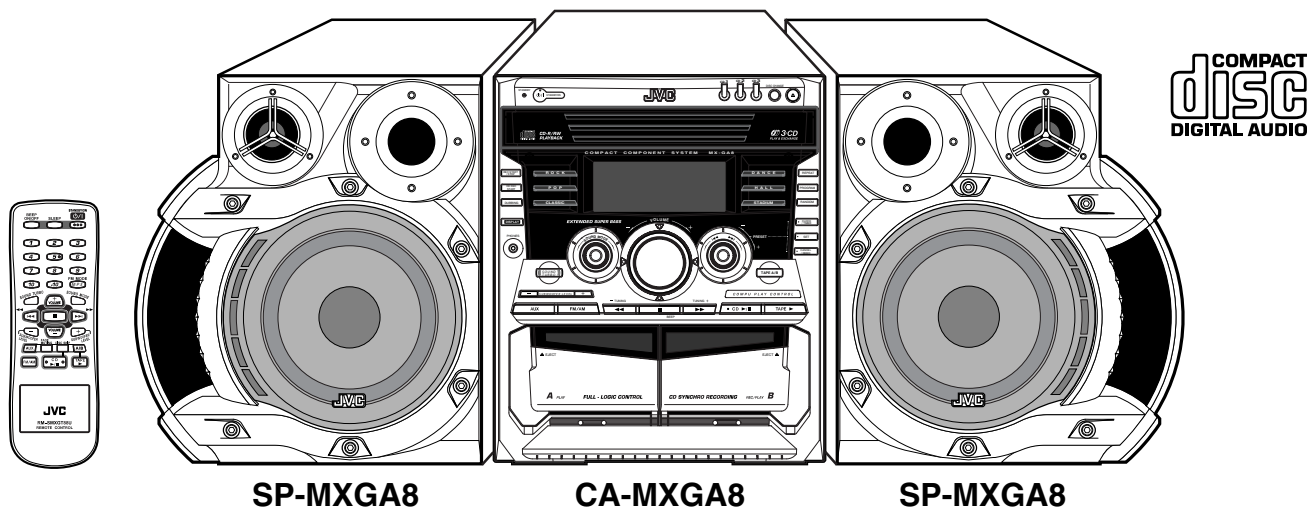
JVC

SCHEMATIC DIAGRAMS

COMPACT COMPONENT SYSTEM

MX-GA8

CD-ROM No.SML200401



Area Suffix

JW ----- Mexico, Panama

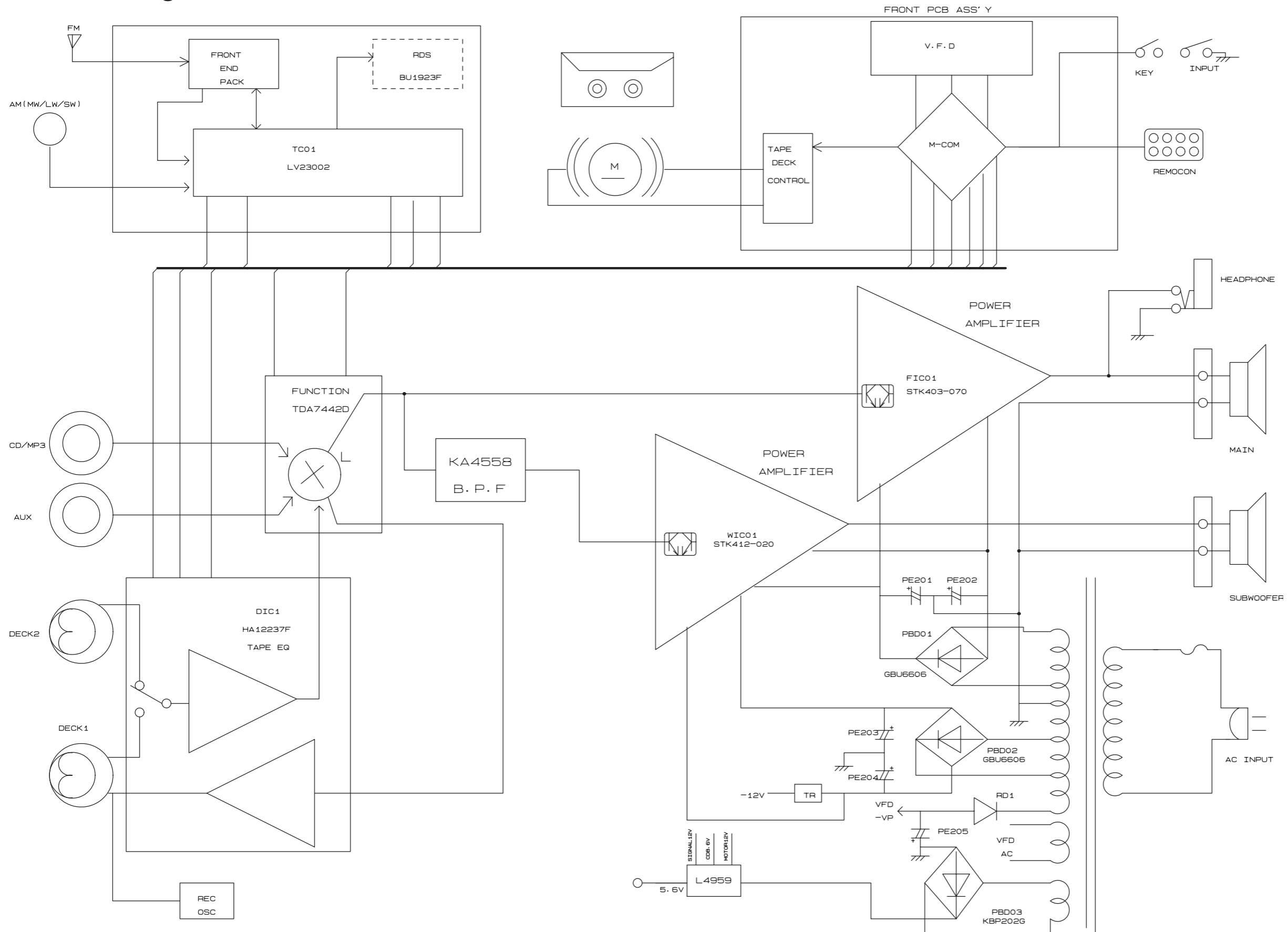
Contents

Block diagram	2-1
Standard schematic diagrams	2-2
Printed circuit boards	2-5

In regard with component parts appearing on the silk-screen printed side (parts side) of the PWB diagrams, the parts that are printed over with black such as the resistor (■), diode (▣) and ICP (●) or identified by the "△" mark nearby are critical for safety.

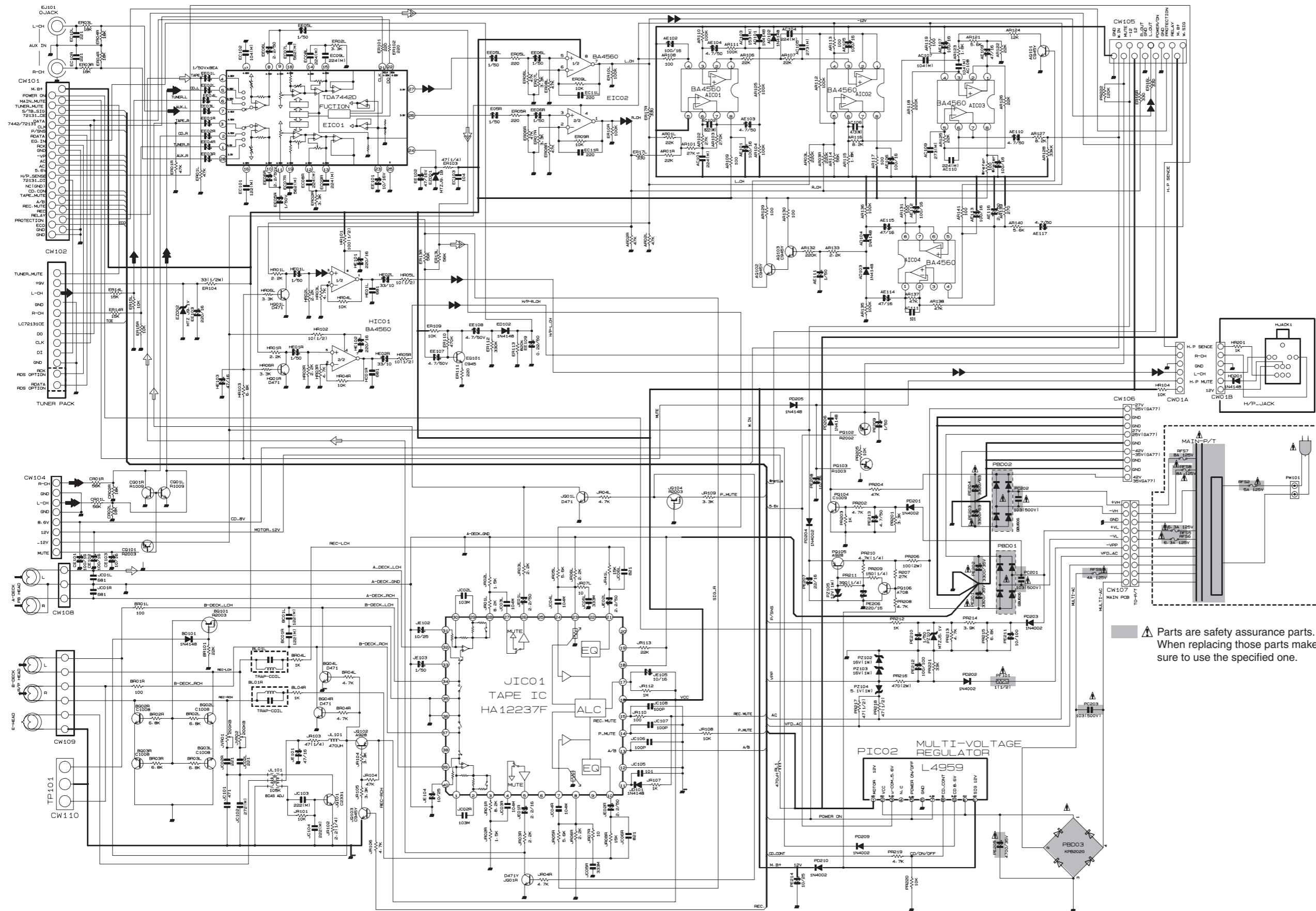
(This regulation does not correspond to J and C version.)

Block diagram



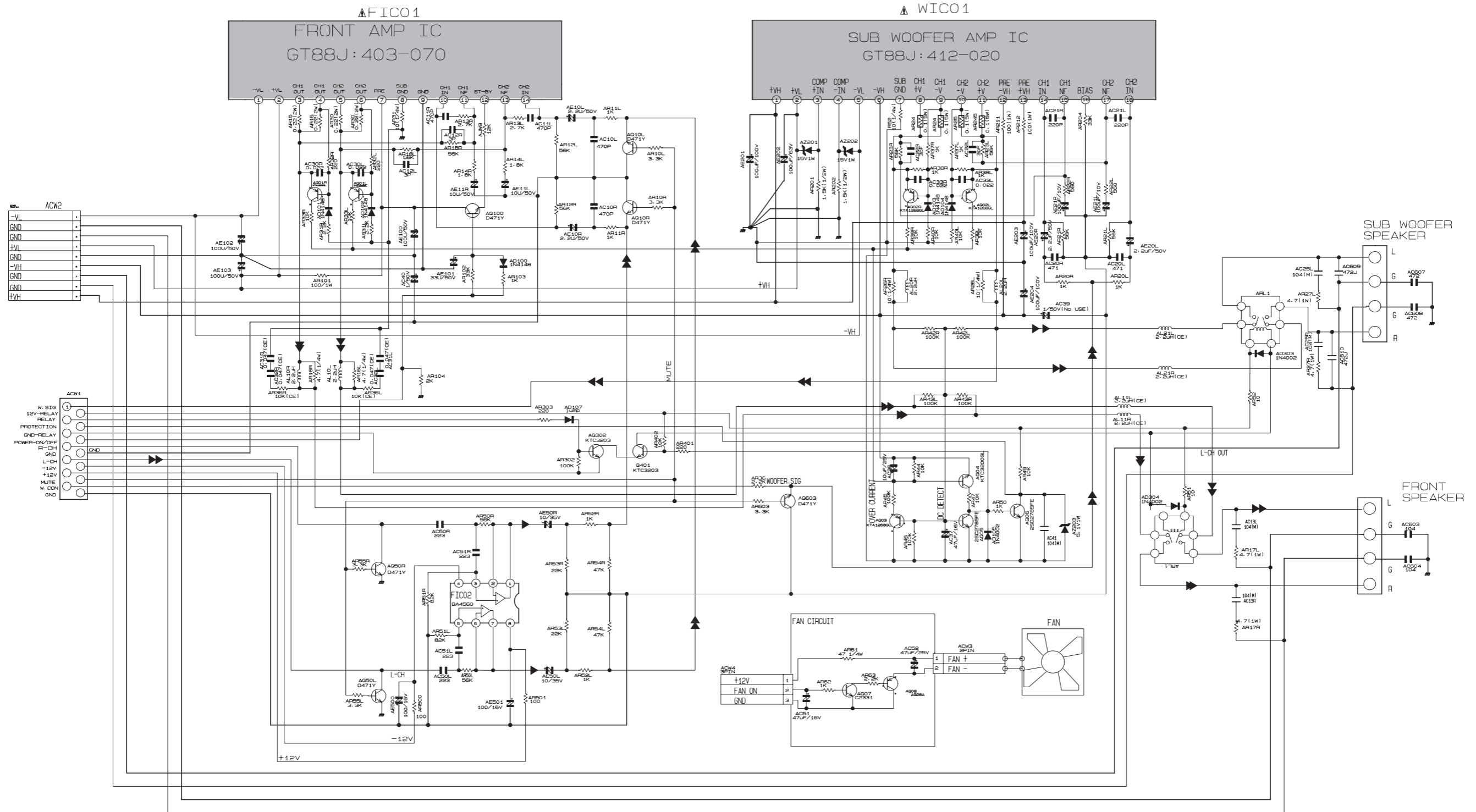
Standard schematic diagrams

■ Main section



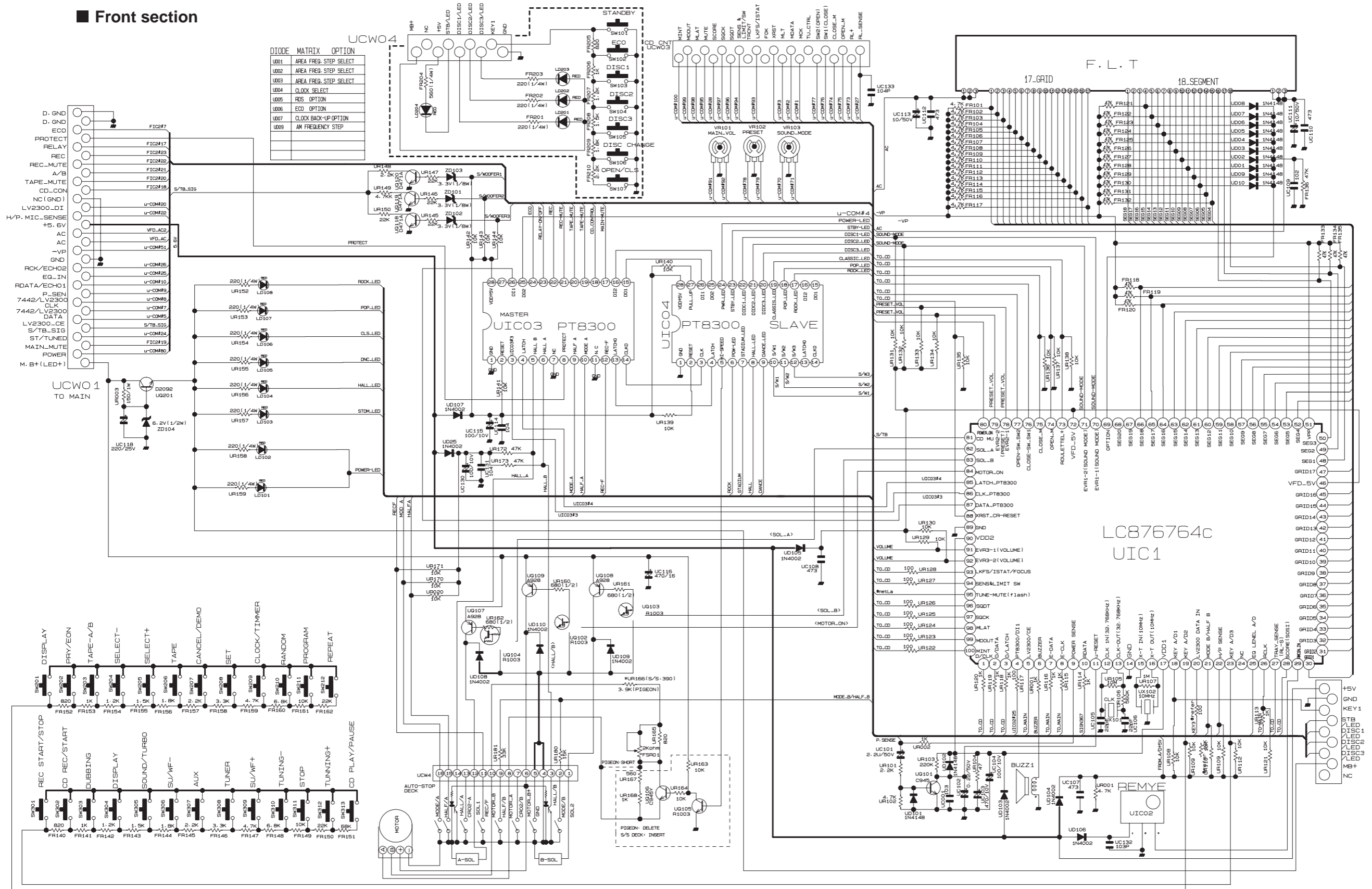
⚠ Parts are safety assurance parts. When replacing those parts make sure to use the specified one.

■ Amp. section



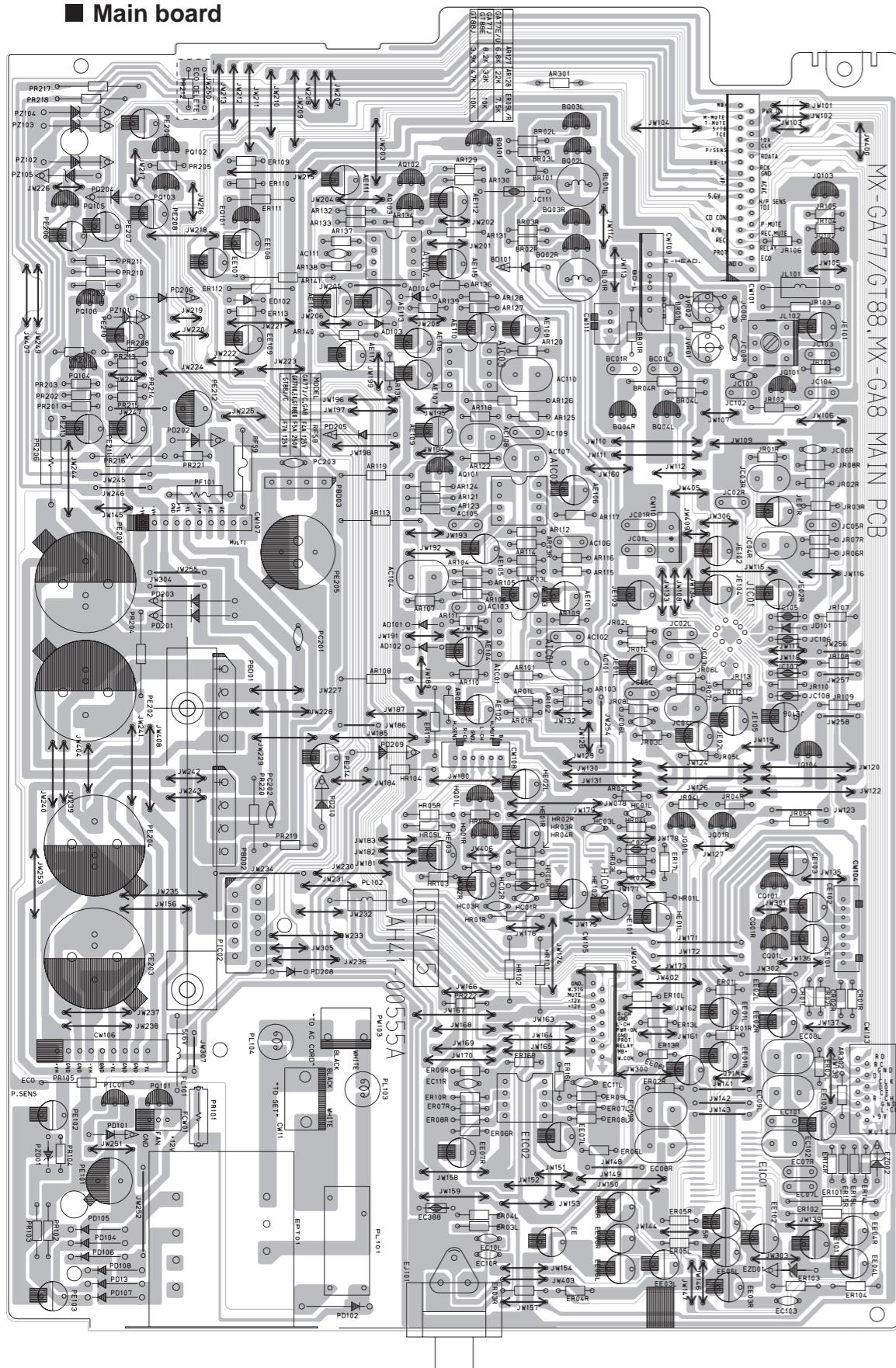
▲ Parts are safety assurance parts.
 When replacing those parts make
 sure to use the specified one.

■ Front section

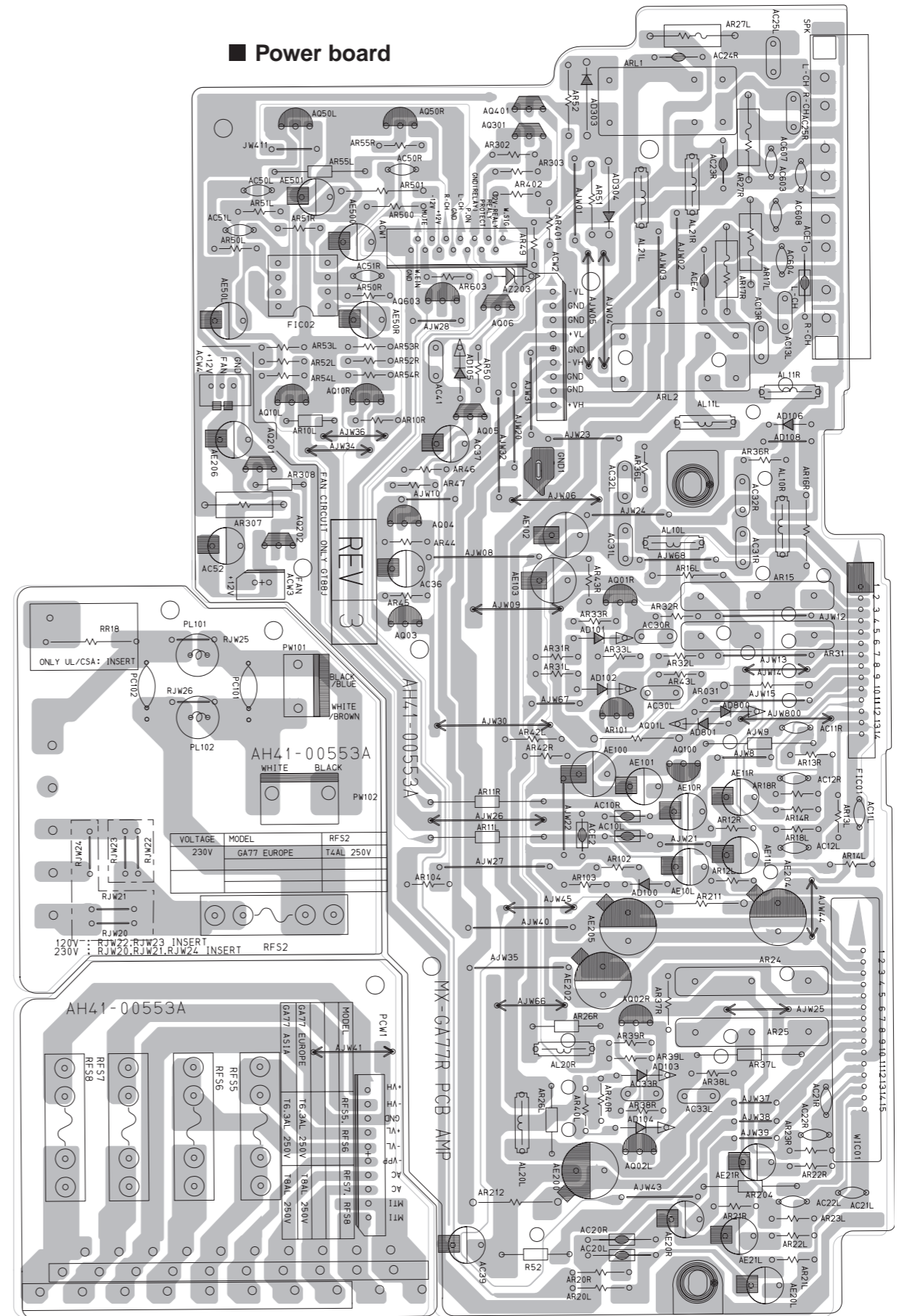


Printed circuit boards

■ Main board



■ Power board



< MEMO >

JVC

VICTOR COMPANY OF JAPAN, LIMITED

AV & MULTIMEDIA COMPANY AUDIO/VIDEO SYSTEMS CATEGORY 10-1, 1chome, Ohwatari-machi, Maebashi-city, 371-8543, Japan

(No.MB080SCH)



Printed in Japan
WPC

PARTS LIST

[MX-GA8]

* All printed circuit boards and its assemblies are not available as service parts.

Area suffix

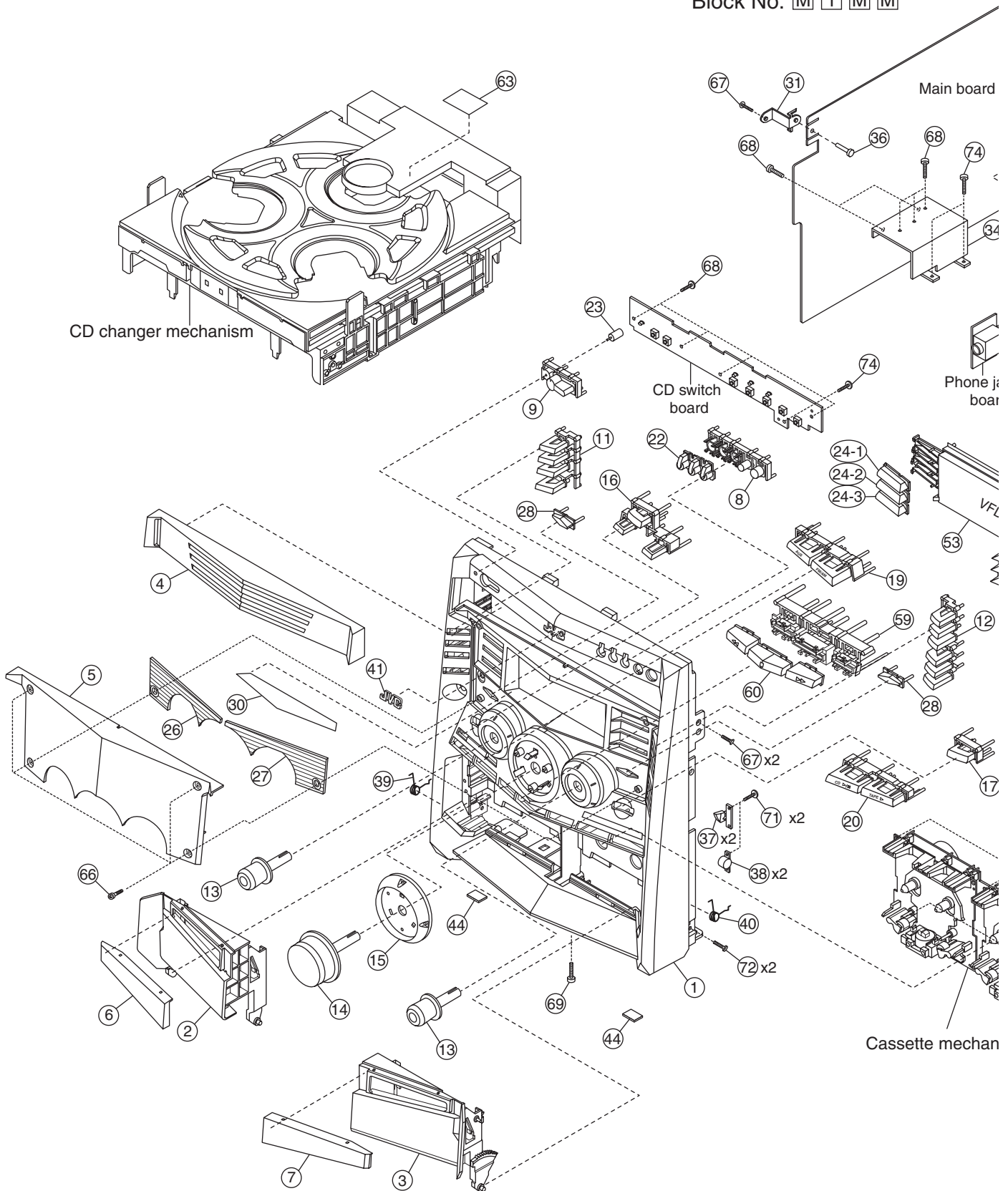
JW ----- Mexico, Panama

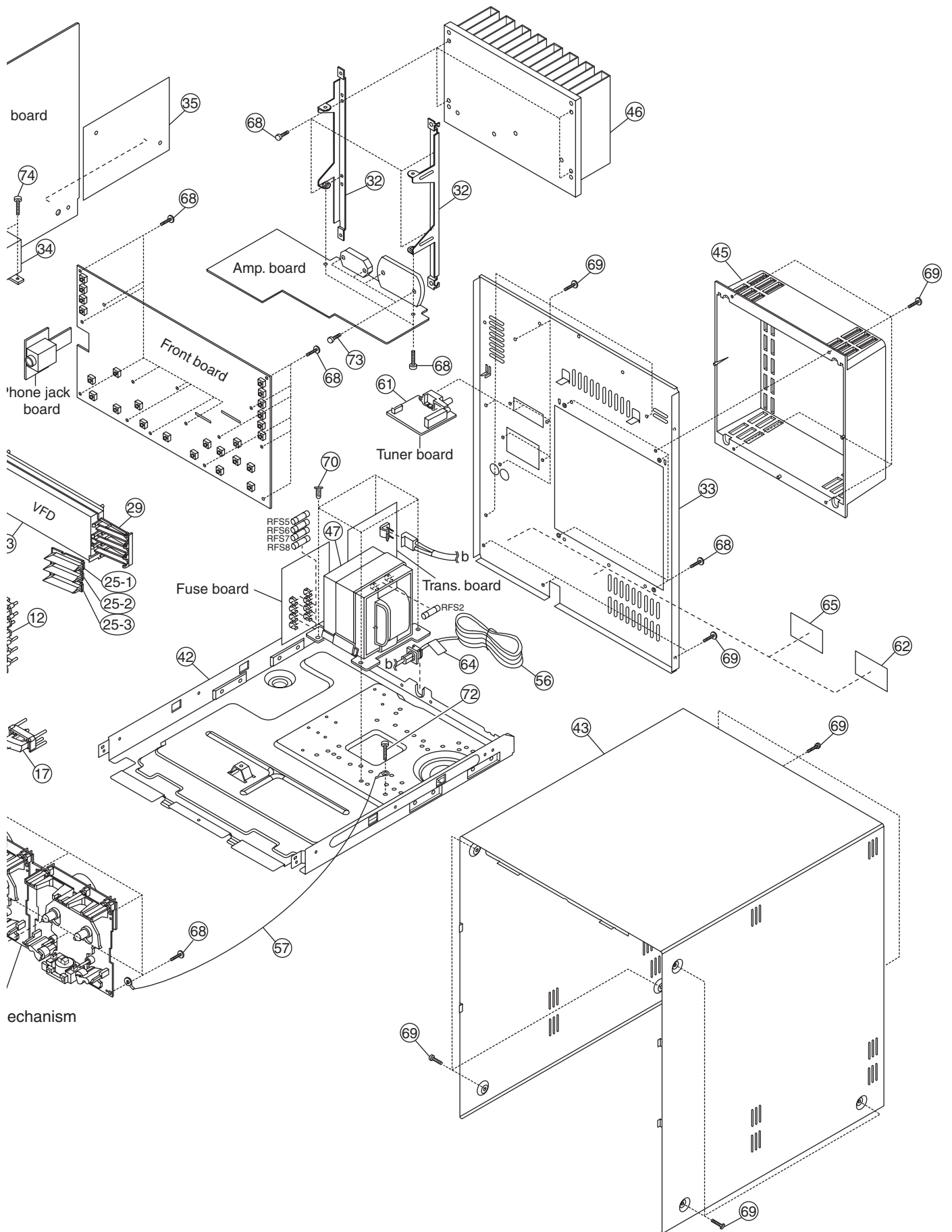
- Contents -

Exploded view of general assembly and parts list (Block No.M1)	3- 2
Speaker assembly and parts list (Block No.M2).....	3- 5
CD changer mechanism assembly and parts list (Block No.MA)	3- 6
Cassette mechanism assembly and parts list (Block No.MP)	3- 8
Electrical parts list (Block No.01~04)	3-10
Packing materials and accessories parts list (Block No.M3)	3-18

Exploded view of general assembly and parts list

Block No. M 1 M M





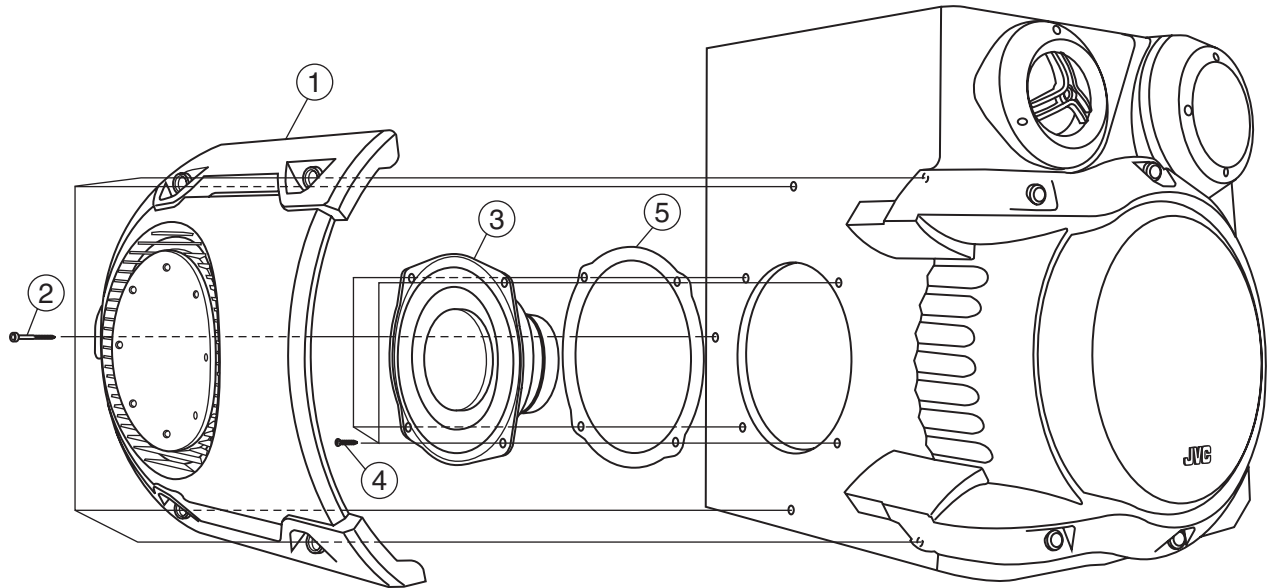
General assembly

Block No. [M][1][M][M]

Symbol No.	Part No.	Part Name	Description	Local
1	AH64-02252D	FRONT CABINET		
2	AH64-02253B	CASSETTE DOOR A		
3	AH64-02254B	CASSETTE DOOR B		
4	△AH64-02255B	CD DOOR		
5	AH64-02256F	WINDOW VFD		
6	AH64-02257A	WINDOW DOOR A		
7	AH64-02258A	WINDOW DOOR B		
8	AH640-2259B	KNOB DISC		
9	AH64-02260B	KNOB POWER		
11	AH64-02262B	KNOB REC		
12	AH64-02263B	KNOB REPEAT		
13	AH64-02264B	KNOB SOUND	(x2)	
14	AH64-02265B	KNOB VOLUME		
15	AH64-02266B	DECO RING		
16	AH64-02267B	KNOB TURBO		
17	AH64-02268B	KNOB TAPE		
19	AH64-02270B	KNOB FUNCTION L		
20	AH64-02271B	KNOB FUNCTION R		
22	AH67-00200B	LENS DISC		
23	AH67-00201A	LENS POWER		
24-1	AH67-00202B	LENS-EQ L1	ROCK	
24-2	AH67-00202C	LENS-EQ L2	POP	
24-3	AH67-00202D	LENS-EQ L3	CLASSIC	
25-1	AH67-00203B	LENS-EQ R1	DANCE	
25-2	AH67-00203C	LENS-EQ R2	HALL	
25-3	AH67-00203D	LENS-EQ R3	STADIUM	
26	AH67-00204B	LENS INNER L		
27	AH67-00205B	LENS INNER R		
28	AH67-00208A	LENS MILKY	(x2)	
29	AH61-01258A	VFD HOLDER		
30	AH63-00507A	SHEET MIRROR		
31	AH61-01261A	PCB BRACKET		
32	AH61-01262A	H SINK BRACKET	(x2)	
33	AH64-02273D	REAR CABINET		
34	AH62-00042A	HEAT SINK	4959	
35	AH63-00278A	PCB COVER		
36	AH61-40014A	SUPPORT RIVET		
37	AH95-50001A	LATCH ASSY	(x2)	
38	AH61-80030A	DAMPER ASSY	(x2)	
39	AH61-00552A	DOOR SPRING A		
40	AH61-00553A	DOOR SPRING B		
41	AH64-00462C	BADGE JVC		
42	AH64-30416E	BOTTOM CABINET		
43	AH64-30390K	TOP CABINET		
44	AH69-20031A	CUSHION FOOT	(x2)	
45	AH63-00250B	HEAT SINK COVER		
46	AH62-00080A	HEAT SINK	MAIN	
△ 47	AH26-00228A	TRANS POWER	120V 40.5/40/4	
53	AH07-00098B	VF DISPLAY	HNAC17LM04T	
△ 56	AH39-00258V	POWER CORD	EP2 NO 125V 7A	
57	AH39-50001X	GROUND WIRE		
59	AH61-01400A	HOLDER DECK		
60	AH64-02551B	CAP DECK		
61	AH40-00044A	TUNER PACK ASSY	KST-MJ011MS0-60	
62	AH68-01253N	RATING LABEL		
63	AH68-50275D	STICKER CD		
64	AH68-50282K	CAUTION LABEL		
65	AH68-00486A	CAUTION LABEL B		
66	AH64-01106G	SCREW	M3X10 SILVER(x4)	
67	6002-000126	SCREW	FH M3X10 BLK(x3)	
68	6003-000276	SCREW	BH M3X10 YEL(x40)	
69	6003-000275	SCREW	BH M3X10 BLACK(x27)	
70	AH60-10107A	SCREW	M4X6 YEL(x4)	
71	6003-000277	SCREW	BH M3X12 YEL(x4)	
72	6002-000398	SCREW	BH M3X6 YEL(x3)	
73	6003-001230	SCREW	BH M3X14 YEL(x4)	
74	6003-000283	SCREW	BH M3X8 YEL(x3)	

Speaker assembly and parts list

Block No. M 2 M M



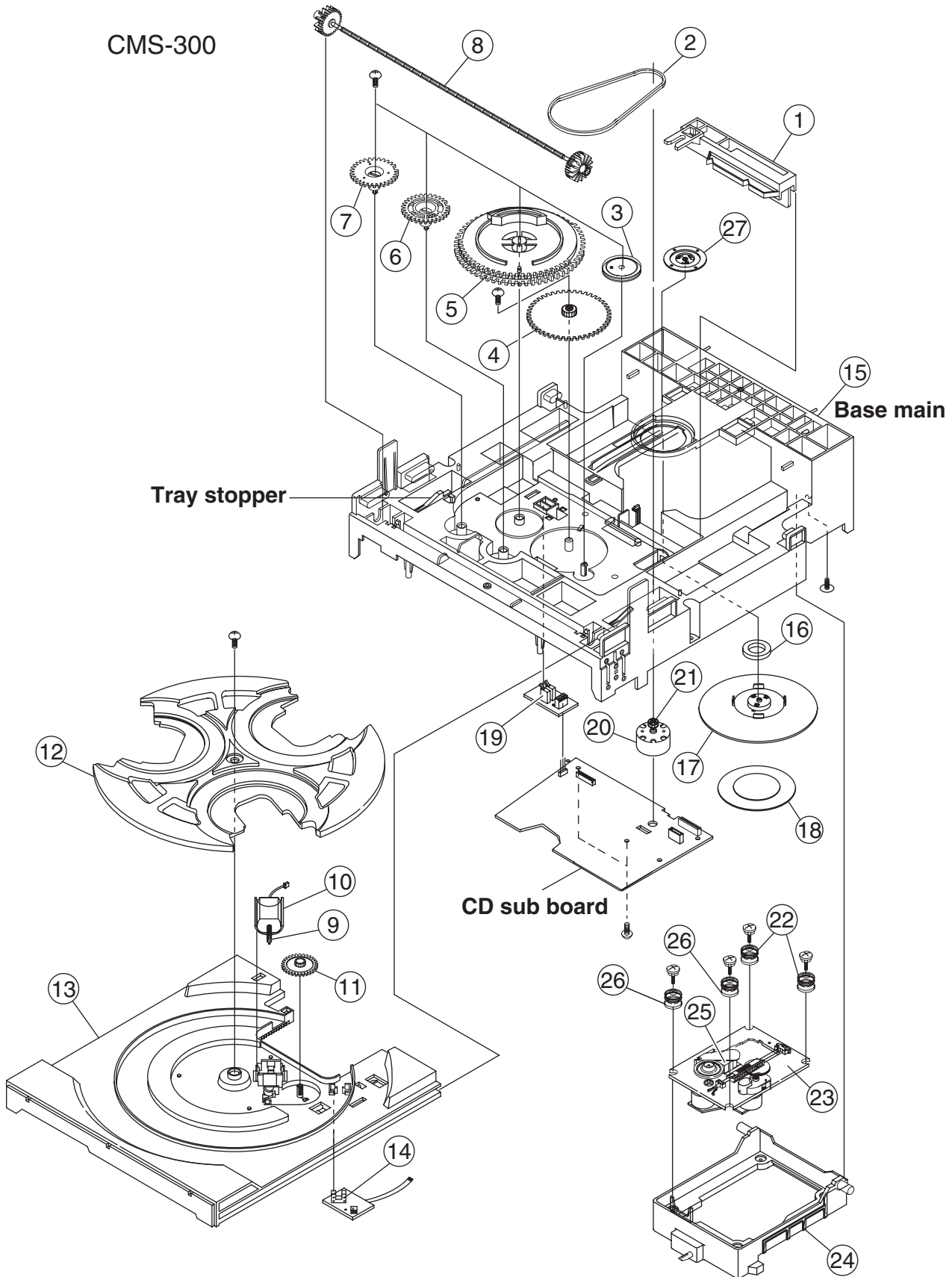
Speaker

Block No. M[2]M[M]

△ Symbol No.	Part No.	Part Name	Description	Local
1	AH81-00959F	SIDE PANEL	LEFT	
1	AH81-00959E	SIDE PANEL	RIGHT	
2	AH81-01121A	SCREW	4.0X40mm BK(x5)	
3	AH81-00959M	SPEAKER	130mm 6ohm 120W	
4	AH81-00959Z	SCREW	3.5mmX16mm BK(x4)	
5	AH91-00959X	SHEET	EVA	

CD changer mechanism assembly and parts list

Block No. M A M M



CD changer mechanism

Block No. [M][A][M][M]

△ Symbol No.	Part No.	Part Name	Description	Local
1	AH66-80022A	SLIDER CAM	ABS HF-380 NTR	
2	AH66-60034A	BELT LOAD	CR	
3	AH66-20186A	GEAR PULLEY	POM M90-44 WHT	
4	AH66-20187A	GEAR LOAD	POM M90-44 BLK	
5	AH66-20188A	GEAR CAM	POM M90-44 WHT	
6	AH66-20189A	GEAR TRAY	POM M90-44 BLK	
7	AH66-20190A	GEAR CONVERTOR	POM M90-44 WHT	
8	AH66-20191A	GEAR SYNCRO	ABS HF-380 NTR	
9	AH66-20192A	GEAR WORM	POM M90-44 WHT	
10	AH31-12001A	LOADING MOTOR	FF-030PN-09120	
11	AH66-20193A	GEAR ROULETTE	POM M90-44 BLK	
12	AH66-90056A	TRAY ROULETTE	ABS XR-401 BLK	
13	AH66-90055A	TRAY DISC	ABS XR-401 BLK	
14	AH32-10001F	SENSOR	KPI-L06	
15	AH61-20428A-1	BASE MAIN	CMS-300 BLK	
16	3302-000159	MAGNET FERRITE	3500-3800G 6P	
17	AH66-90053A	TABLE CHUCK UNI	BLK CMS300	
18	AH63-00068B	SHEET CHUCK	HYMERON BLK 0.4	
19	3404-000101	SWICH MICRO	MLS-24	
20	AH31-10021A	DC MORTOR	RF-500TB 9VDC	
21	AH66-10008A	PULLEY MOTOR	BLK CMS-CR3	
22	AH73-10031A	RUBBER CD	RCD380 RED(x2)	
23	AH91-60150C	SP MOTOR ASSY	CMS-D73SG6U	
24	AH66-30098A	LEVER-LIFTER	ABS BLK CMS-300	
25	AH30-00007A	CD PICK UP	SOH-AD3	
26	AH73-10034A	RUBBER-CD G	CMS-300D GREEN(x2)	
27	AH61-00255A	BRKT CHUCK	SECL 0.8T	

Cassette mechanism

Block No. [M][P][M][M]

△ Symbol No.	Part No.	Part Name	Description	Local
1	AH81-00472A	R/P HEAD	TC881CB067P(x2)	
2	AH81-00472B	E HEAD	TC2131	
3	AH81-00472N	PINCH ROLLER	22-027-41054(x2)	
4	AH81-00902E	MOTOR ASSY	50-093-4879	
5	AH81-00902G	BF BELT	02-083-4236	
6	AH81-00902J	AF BELT	02-083-4234	
7	AH81-00902K	FR BLET	02-083-4188(x2)	
8	AH81-00902L	SOLENOID ASSY	50-093-4748(x2)	
10	AH81-00902Q	HOUSING	6216016100	
11	AH81-00472V	CLUTCH ASSY	50-093-4503(x2)	
12	AH81-00902W	MODE SWITCH	MPU11570MLB0	
13	AH81-00902X	PHOTO INTERRUPT	RP1352	
14	AH81-00902Y	LEAF SWITCH	LSA11355	
15	AH81-00903A	SPRING62	01-082-4686(x2)	
16	AH81-00473H	SPRING 04	01-080-4635(x2)	

Electrical parts list

Main board

Block No. [0][1][0][0]					△ Symbol No.	Part No.	Part Name	Description	Local
△	PC201	2201-000161	C CAPACITOR	10NF +80-20% 50		AR123	2001-000258	CARBON RESISTOR	1.8K 5% 1/8W
△	PC202	2201-000161	C CAPACITOR	10NF +80-20% 50		AR124	2001-000331	CARBON RESISTOR	12K 5% 1/8W
△	PC203	2201-000161	C CAPACITOR	10NF +80-20% 50		AR125	2001-000522	CARBON RESISTOR	22K 5% 1/8W
	AC101	2301-000216	M CAPACITOR	220NF 5% 50V		AR126	2001-000522	CARBON RESISTOR	22K 5% 1/8W
	AC102	2301-000474	M CAPACITOR	8.2NF 10% 50V		AR127	2001-000977	CARBON RESISTOR	8.2K 5% 1/8W
	AC103	2301-000390	M CAPACITOR	15NF 10% 50V		AR128	2001-000660	CARBON RESISTOR	33K 5% 1/8W
	AC104	2301-000216	M CAPACITOR	220NF 5% 50V		AR129	2001-000281	CARBON RESISTOR	100 5% 1/8W
	AC105	2301-000419	M CAPACITOR	27NF 10% 50V		AR130	2001-000281	CARBON RESISTOR	100 5% 1/8W
	AC106	2301-000449	M CAPACITOR	47NF 10% 50V		AR131	2001-000281	CARBON RESISTOR	100 5% 1/8W
	AC107	2301-000375	M CAPACITOR	100NF 10% 50V		AR132	2001-000508	CARBON RESISTOR	220K 5% 1/8W
	AC108	2301-000375	M CAPACITOR	100NF 10% 50V		AR133	2001-000449	CARBON RESISTOR	2.2K 5% 1/8W
	AC109	2301-000419	M CAPACITOR	27NF 10% 50V		AR134	2001-001000	CARBON RESISTOR	82K 5% 1/8W
	AC110	2301-000216	M CAPACITOR	220NF 5% 50V		AR135	2001-000273	CARBON RESISTOR	100K 5% 1/8W
	AD101	1N4148	GE DIODE	0401-000101		AR136	2001-000273	CARBON RESISTOR	100K 5% 1/8W
	AD102	1N4148	GE DIODE	0401-000101		AR137	2001-000786	CARBON RESISTOR	47K 5% 1/8W
	AD103	1N4148	GE DIODE	0401-000101		AR138	2001-000786	CARBON RESISTOR	47K 5% 1/8W
	AD104	1N4148	GE DIODE	0401-000101		AR139	2001-000554	CARBON RESISTOR	270 5% 1/8W
	AE101	2401-001895	E CAPACITOR	100UF 20% 16V		AR140	2001-000802	CARBON RESISTOR	5.6K 5% 1/8W
	AE102	2401-001895	E CAPACITOR	100UF 20% 16V		AR141	2001-000281	CARBON RESISTOR	100 5% 1/8W
	AE103	2401-001954	E CAPACITOR	4.7UF 20% 50V		AR301	2001-000281	CARBON RESISTOR	100 5% 1/8W
	AE104	2401-001954	E CAPACITOR	4.7UF 20% 50V		BC01L	2301-000361	M CAPACITOR	1.2NF 10% 50V
	AE105	2401-001895	E CAPACITOR	100UF 20% 16V		BC01R	2301-000361	M CAPACITOR	1.2NF 10% 50V
	AE106	2401-001895	E CAPACITOR	100UF 20% 16V		BD101	1N4148	GE DIODE	0401-000101
	AE107	2401-001895	E CAPACITOR	100UF 20% 16V		BL01L	AH26-10002W	TRANS TRAP COIL	BIAS-TRAP105K
	AE108	2401-001895	E CAPACITOR	100UF 20% 16V		BL01R	AH26-10002W	TRANS TRAP COIL	BIAS-TRAP105K
	AE109	2401-001511	E CAPACITOR	47UF 20% 16V		BQ02L	KTC8050	TRANSISTOR	0501-000010
	AE110	2401-001511	E CAPACITOR	47UF 20% 16V		BQ02R	KTC8050	TRANSISTOR	0501-000010
	AE111	2401-001912	E CAPACITOR	1UF 20% 50V		BQ03L	KTC8050	TRANSISTOR	0501-000010
	AE112	2401-001895	E CAPACITOR	100UF 20% 16V		BQ03R	KTC8050	TRANSISTOR	0501-000010
	AE113	2401-001895	E CAPACITOR	100UF 20% 16V		BQ101	KRA103M	DIGI TRANSISTOR	0504-001128
	AE114	2401-001511	E CAPACITOR	47UF 20% 16V		BR01L	2001-000281	CARBON RESISTOR	100 5% 1/8W
	AE115	2401-001511	E CAPACITOR	47UF 20% 16V		BR01R	2001-000281	CARBON RESISTOR	100 5% 1/8W
	AE116	2401-002180	E CAPACITOR	2.2UF 20% 50V		BR02L	2001-000890	CARBON RESISTOR	6.8K 5% 1/8W
	AE117	2401-003621	E CAPACITOR	47UF 20% 63V		BR02R	2001-000890	CARBON RESISTOR	6.8K 5% 1/8W
	AIC01	BA4558	IC	1201-000191		BR03L	2001-000890	CARBON RESISTOR	6.8K 5% 1/8W
	AIC02	BA4558	IC	1201-000191		BR03R	2001-000890	CARBON RESISTOR	6.8K 5% 1/8W
	AIC03	BA4558	IC	1201-000191		BR101	2001-000522	CARBON RESISTOR	22K 5% 1/8W
	AIC04	BA4558	IC	1201-000191		CE102	2401-001895	E CAPACITOR	100UF 20% 16V
	AQ101	KTC8050	TRANSISTOR	0501-002409		CE103	2401-001887	E CAPACITOR	100NF 20% 50V
	AQ102	KTC8050	TRANSISTOR	0501-002409		CQ01L	KRC110M	DIGI TRANSISTOR	0504-001125
	AQ103	KTC8050	TRANSISTOR	0501-002409		CQ01R	KRC110M	DIGI TRANSISTOR	0504-001125
	AR01L	2001-000522	CARBON RESISTOR	22K 5% 1/8W		CQ101	KRA103M	DIGI TRANSISTOR	0504-001128
	AR01R	2001-000522	CARBON RESISTOR	22K 5% 1/8W		CR01L	2001-000864	CARBON RESISTOR	56K 5% 1/8W
	AR02L	2001-000786	CARBON RESISTOR	47K 5% 1/8W		CR01R	2001-000864	CARBON RESISTOR	56K 5% 1/8W
	AR02R	2001-000786	CARBON RESISTOR	47K 5% 1/8W		CR02L	2001-000411	CARBON RESISTOR	18K 5% 1/8W
	AR03L	2001-000508	CARBON RESISTOR	220K 5% 1/8W		CR02R	2001-000411	CARBON RESISTOR	18K 5% 1/8W
	AR03R	2001-000508	CARBON RESISTOR	220K 5% 1/8W		CW101	3708-001577	CONNECTOR	30P 1.25MM
	AR05L	2001-000302	CARBON RESISTOR	10 5% 1/8W		CW103	3708-000412	CONNECTOR	12P 1.25MM
	AR05R	2001-000302	CARBON RESISTOR	10 5% 1/8W		CW104	3711-001137	CONNECTOR	8P 1R 2MM
	AR101	2001-000563	CARBON RESISTOR	27K 5% 1/8W		CW105	3708-001167	CONNECTOR	14P 1.25MM
	AR102	2001-000563	CARBON RESISTOR	27K 5% 1/8W		CW106	AH39-00295A	W/HARNESS UNIT	MAX-L85 9P
	AR103	2001-000548	CARBON RESISTOR	270K 5% 1/8W		CW107	AH39-00338A	LEAD CONNECTOR	
	AR104	2001-000273	CARBON RESISTOR	100K 5% 1/8W		CW108	3711-001062	CONNECTOR	6P 1R 2MM
	AR105	2001-000273	CARBON RESISTOR	100K 5% 1/8W		CW109	3711-003111	CONNECTOR	6P 1R 2.5MM
	AR106	2001-000522	CARBON RESISTOR	22K 5% 1/8W		CW110	3711-003107	CONNECTOR	3P 1R 2.5MM
	AR107	2001-000522	CARBON RESISTOR	22K 5% 1/8W		CW111	3711-000907	CONNECTOR	3P 1R 2MM
	AR108	2001-000281	CARBON RESISTOR	100 5% 1/8W		EC07L	2301-000454	M CAPACITOR	5.6NF 10% 50V
	AR109	2001-000281	CARBON RESISTOR	100 5% 1/8W		EC07R	2301-000454	M CAPACITOR	5.6NF 10% 50V
	AR110	2001-000273	CARBON RESISTOR	100K 5% 1/8W		EC08L	2301-000216	M CAPACITOR	220NF 5% 50V
	AR111	2001-000273	CARBON RESISTOR	100K 5% 1/8W		EC08R	2301-000216	M CAPACITOR	220NF 5% 50V
	AR112	2001-000273	CARBON RESISTOR	100K 5% 1/8W		EC09L	2301-000216	M CAPACITOR	220NF 5% 50V
	AR113	2001-000281	CARBON RESISTOR	100 5% 1/8W		EC09R	2301-000216	M CAPACITOR	220NF 5% 50V
	AR114	2001-000864	CARBON RESISTOR	56K 5% 1/8W		EC101	2301-000361	M CAPACITOR	1.2NF 10% 50V
	AR115	2001-000258	CARBON RESISTOR	1.8K 5% 1/8W		EC102	2301-000375	M CAPACITOR	100NF 10% 50V
	AR116	2001-000977	CARBON RESISTOR	8.2K 5% 1/8W		EC103	2201-000783	C CAPACITOR	100NF +80-20% 5
	AR117	2001-000281	CARBON RESISTOR	100 5% 1/8W		EC10L	2201-000368	C CAPACITOR	0.22NF 10% 50V
	AR118	2001-000508	CARBON RESISTOR	220K 5% 1/8W		EC10R	2201-000368	C CAPACITOR	0.22NF 10% 50V
	AR119	2001-000281	CARBON RESISTOR	100 5% 1/8W		EC11L	2201-000368	C CAPACITOR	0.22NF 10% 50V
	AR120	2001-000281	CARBON RESISTOR	100 5% 1/8W		EC11R	2201-000368	C CAPACITOR	0.22NF 10% 50V
	AR121	2001-000802	CARBON RESISTOR	5.6K 5% 1/8W		ED102	1N4148	GE DIODE	0401-000101
	AR122	2001-000522	CARBON RESISTOR	22K 5% 1/8W		EE8L	2401-001912	E CAPACITOR	1UF 20% 50V
						EE01L	2401-001912	E CAPACITOR	1UF 20% 50V
						EE01R	2401-001912	E CAPACITOR	1UF 20% 50V
						EE02L	2401-001912	E CAPACITOR	1UF 20% 50V
						EE02R	2401-001912	E CAPACITOR	1UF 20% 50V
						EE03L	2401-001917	E CAPACITOR	1UF 20% 50V

△ Symbol No.	Part No.	Part Name	Description	Local	△ Symbol No.	Part No.	Part Name	Description	Local
EE03R	2401-001912	E CAPACITOR	1UF 20% 50V		HR03L	2001-000734	CARBON RESISTOR	4.7K 5% 1/8W	
EE04L	2401-001912	E CAPACITOR	1UF 20% 50V		HR03R	2001-000734	CARBON RESISTOR	4.7K 5% 1/8W	
EE04R	2401-001912	E CAPACITOR	1UF 20% 50V		HR04L	2001-000290	CARBON RESISTOR	10K 5% 1/8W	
EE05L	2401-001912	E CAPACITOR	1UF 20% 50V		HR04R	2001-000290	CARBON RESISTOR	10K 5% 1/8W	
EE05R	2401-001912	E CAPACITOR	1UF 20% 50V		HR06L	2001-000591	CARBON RESISTOR	3.3K 5% 1/8W	
EE06L	2401-001919	E CAPACITOR	2.2UF 20% 50V		HR06R	2001-000591	CARBON RESISTOR	3.3K 5% 1/8W	
EE06R	2401-001919	E CAPACITOR	2.2UF 20% 50V		HR101	2001-000028	CARBON RESISTOR	100 5% 1/2W	
EE07L	2401-001917	E CAPACITOR	1UF 20% 50V		HR102	2001-000019	CARBON RESISTOR	10 5% 1/2W	
EE07R	2401-001912	E CAPACITOR	1UF 20% 50V		HR104	2001-000290	CARBON RESISTOR	10K 5% 1/8W	
EE08R	2401-001917	E CAPACITOR	1UF 20% 50V		JC00L	2201-000368	C CAPACITOR	0.22NF 10% 50V	
EE101	2401-000438	E CAPACITOR	10UF 20% 25V		JC00R	2201-000368	C CAPACITOR	0.22NF 10% 50V	
EE102	2401-001511	E CAPACITOR	47UF 20% 16V		JC01L	2201-000642	C CAPACITOR	0.68NF 10% 50V	
EE103	2401-000830	E CAPACITOR	220UF 20% 25V		JC01R	2201-000642	C CAPACITOR	0.68NF 10% 50V	
EE107	2401-001954	E CAPACITOR	4.7UF 20% 50V		JC02L	2301-000379	M CAPACITOR	10NF 10% 50V	
EE108	2401-001954	E CAPACITOR	4.7UF 20% 50V		JC02R	2301-000379	M CAPACITOR	10NF 10% 50V	
EE109	2401-000759	E CAPACITOR	220NF 20% 50V		JC03L	2301-000375	M CAPACITOR	100NF 10% 50V	
EIC01	TDA7442D	IC	1204-001776		JC03R	2301-000375	M CAPACITOR	100NF 10% 50V	
EIC02	BA4558	IC	1201-000191		JC04L	2301-000375	M CAPACITOR	100NF 10% 50V	
EJ101	3722-000379	JACK PIN	4P/2C 3.5MM		JC04R	2301-000375	M CAPACITOR	100NF 10% 50V	
EQ101	KTC8050	TRANSISTOR	0501-002409		JC05L	2301-000430	M CAPACITOR	33NF 10% 50V	
ER01L	2001-000786	CARBON RESISTOR	47K 5% 1/8W		JC05R	2301-000430	M CAPACITOR	33NF 10% 50V	
ER01R	2001-000786	CARBON RESISTOR	47K 5% 1/8W		JC06L	2201-000674	C CAPACITOR	0.82NF 10% 50V	
ER02L	2001-000591	CARBON RESISTOR	3.3K 5% 1/8W		JC06R	2201-000674	C CAPACITOR	0.82NF 10% 50V	
ER02R	2001-000591	CARBON RESISTOR	3.3K 5% 1/8W		JC101	2201-000557	C CAPACITOR	0.47NF 10% 50V	
ER03L	2001-000411	CARBON RESISTOR	18K 5% 1/8W		JC102	2301-000407	M CAPACITOR	2.7NF 10% 50V	
ER03R	2001-000411	CARBON RESISTOR	18K 5% 1/8W		JC103	2301-000404	M CAPACITOR	2.2NF 10% 50V	
ER04L	2001-000411	CARBON RESISTOR	18K 5% 1/8W		JC104	2301-000404	M CAPACITOR	2.2NF 10% 50V	
ER04R	2001-000411	CARBON RESISTOR	18K 5% 1/8W		JC105	2202-000781	C CAPACITOR	100PF 10% 50V	
ER05L	2001-000515	CARBON RESISTOR	220 5% 1/8W		JC106	2202-000781	C CAPACITOR	100PF 10% 50V	
ER05R	2001-000515	CARBON RESISTOR	220 5% 1/8W		JC107	2202-000781	C CAPACITOR	100PF 10% 50V	
ER06L	2001-000786	CARBON RESISTOR	47K 5% 1/8W		JC108	2202-000781	C CAPACITOR	100PF 10% 50V	
ER06R	2001-000786	CARBON RESISTOR	47K 5% 1/8W		JD101	1N4148	GE DIODE	0401-000101	
ER07L	2001-000591	CARBON RESISTOR	3.3K 5% 1/8W		JE01L	2401-002180	E CAPACITOR	2.2UF 20% 50V	
ER07R	2001-000591	CARBON RESISTOR	3.3K 5% 1/8W		JE01R	2401-002180	E CAPACITOR	2.2UF 20% 50V	
ER08L	2001-000786	CARBON RESISTOR	47K 5% 1/8W		JE02L	2401-002180	E CAPACITOR	2.2UF 20% 50V	
ER08R	2001-000786	CARBON RESISTOR	47K 5% 1/8W		JE02R	2401-002180	E CAPACITOR	2.2UF 20% 50V	
ER09L	2001-000290	CARBON RESISTOR	10K 5% 1/8W		JE101	2401-001511	E CAPACITOR	47UF 20% 16V	
ER09R	2001-000290	CARBON RESISTOR	10K 5% 1/8W		JE102	2401-001164	E CAPACITOR	33UF 20% 16V	
ER101	2001-000515	CARBON RESISTOR	220 5% 1/8W		JE103	2401-001912	E CAPACITOR	1UF 20% 50V	
ER102	2001-000515	CARBON RESISTOR	220 5% 1/8W		JE104	2401-001164	E CAPACITOR	33UF 20% 16V	
ER103	2001-000023	CARBON RESISTOR	47 5% 1/4W		JE105	2401-000438	E CAPACITOR	10UF 20% 25V	
ER104	2001-000022	CARBON RESISTOR	33 5% 1/2W		JE106	2401-002180	E CAPACITOR	2.2UF 20% 50V	
ER10L	2001-000273	CARBON RESISTOR	100K 5% 1/8W		JIC01	HA12237F	IC	1201-001899	
ER10R	2001-000273	CARBON RESISTOR	100K 5% 1/8W		JL101	2701-000298	COIL	470UH 10%	
ER110	2001-000773	CARBON RESISTOR	470K 5% 1/8W		JL102	AH26-10003C	TRANS TRAP COIL	PCHNS-5371EQJ	
ER111	2001-000515	CARBON RESISTOR	220 5% 1/8W		JQ01L	KTC8050	TRANSISTOR	0501-002375	
ER112	2001-000645	CARBON RESISTOR	330K 5% 1/8W		JQ01R	KTC8050	TRANSISTOR	0501-002375	
ER113	2001-000989	CARBON RESISTOR	820K 5% 1/8W		JQ101	KTD863	TRANSISTOR	0501-002176	
ER13L	2001-000864	CARBON RESISTOR	56K 5% 1/8W		JQ102	KTA1273	TRANSISTOR	0501-000422	
ER13R	2001-000864	CARBON RESISTOR	56K 5% 1/8W		JQ103	KTC8050	TRANSISTOR	0501-002409	
ER14L	2001-000008	CARBON RESISTOR	15K 5% 1/8W		JQ104	KRA103M	DIGI TRANSISTOR	0504-001128	
ER14R	2001-000008	CARBON RESISTOR	15K 5% 1/8W		JR01L	2001-000977	CARBON RESISTOR	8.2K 5% 1/8W	
ER15L	2001-000290	CARBON RESISTOR	10K 5% 1/8W		JR01R	2001-000977	CARBON RESISTOR	8.2K 5% 1/8W	
ER15R	2001-000290	CARBON RESISTOR	10K 5% 1/8W		JR02L	2001-000241	CARBON RESISTOR	1.5K 5% 1/8W	
ER16L	2001-000003	CARBON RESISTOR	330 5% 1/8W		JR02R	2001-000241	CARBON RESISTOR	1.5K 5% 1/8W	
ER16R	2001-000003	CARBON RESISTOR	330 5% 1/8W		JR03L	2001-000449	CARBON RESISTOR	2.2K 5% 1/8W	
ER17L	2001-000003	CARBON RESISTOR	330 5% 1/8W		JR03R	2001-000449	CARBON RESISTOR	2.2K 5% 1/8W	
ER17R	2001-000003	CARBON RESISTOR	330 5% 1/8W		JR04L	2001-000734	CARBON RESISTOR	4.7K 5% 1/8W	
EZD01	0403-000372	Z DIODE	UZ9.1BM 9.1V		JR04R	2001-000734	CARBON RESISTOR	4.7K 5% 1/8W	
EZD02	0403-000372	Z DIODE	UZ9.1BM 9.1V		JR05L	2001-000802	CARBON RESISTOR	4.7K 5% 1/8W	
HC01L	2201-000642	C CAPACITOR	0.68NF 10% 50V		JR05R	2001-000802	CARBON RESISTOR	5.6K 5% 1/8W	
HC01R	2201-000642	C CAPACITOR	0.68NF 10% 50V		JR06L	2001-000449	CARBON RESISTOR	2.2K 5% 1/8W	
HC03L	2201-000389	C CAPACITOR	0.022NF 5% 50V		JR06R	2001-000449	CARBON RESISTOR	2.2K 5% 1/8W	
HC03R	2201-000389	C CAPACITOR	0.022NF 5% 50V		JR07L	2001-000302	CARBON RESISTOR	10 5% 1/8W	
HE01L	2401-001912	E CAPACITOR	1UF 20% 50V		JR07R	2001-000302	CARBON RESISTOR	10 5% 1/8W	
HE01R	2401-001912	E CAPACITOR	1UF 20% 50V		JR08L	2001-000008	CARBON RESISTOR	15K 5% 1/8W	
HE02L	2401-001164	E CAPACITOR	33UF 20% 16V		JR08R	2001-000008	CARBON RESISTOR	15K 5% 1/8W	
HE02R	2401-001164	E CAPACITOR	33UF 20% 16V		JR101	2001-000290	CARBON RESISTOR	10K 5% 1/8W	
HE101	2401-000830	E CAPACITOR	220UF 20% 25V		JR102	2001-000456	CARBON RESISTOR	2.2 5% 1/4W	
HE102	2401-000830	E CAPACITOR	220UF 20% 25V		JR103	2001-001153	CARBON RESISTOR	47 5% 1/2W	
HE103	2401-001511	E CAPACITOR	47UF 20% 16V		JR104	2001-000786	CARBON RESISTOR	47K 5% 1/8W	
HIC01	BA4558	IC	1201-000461		JR105	2001-000591	CARBON RESISTOR	3.3K 5% 1/8W	
HQ01L	KTC8050	TRANSISTOR	0501-002375		JR106	2001-000734	CARBON RESISTOR	4.7K 5% 1/8W	
HQ01R	KTC8050	TRANSISTOR	0501-002375		JR107	2001-000429	CARBON RESISTOR	1K 5% 1/8W	
HR01L	2001-000449	CARBON RESISTOR	2.2K 5% 1/8W		JR108	2001-000290	CARBON RESISTOR	10K 5% 1/8W	
HR01R	2001-000449	CARBON RESISTOR	2.2K 5% 1/8W		JR109	2001-000591	CARBON RESISTOR	3.3K 5% 1/8W	
HR02L	2001-000449	CARBON RESISTOR	2.2K 5% 1/8W		JR110	2001-000281	CARBON RESISTOR	100 5% 1/8W	
HR02R	2001-000449	CARBON RESISTOR	2.2K 5% 1/8W		JR112	2001-000435	CARBON RESISTOR	1M 5% 1/8W	

△ Symbol No.	Part No.	Part Name	Description	Local	△ Symbol No.	Part No.	Part Name	Description	Local
JR113	2001-000522	CARBON RESISTOR	22K 5% 1/8W		CW01B	AH39-00247A	LEAD CONNECTOR		
JVR01	2103-000248	ROTA V RESISTOR	200K 30% 1/10W		FR101	2001-000734	CARBON RESISTOR	4.7K 5% 1/8W	
JVR02	2103-000248	ROTA V RESISTOR	200K 30% 1/10W		FR102	2001-000734	CARBON RESISTOR	4.7K 5% 1/8W	
△ PBD01	GBU606	DIODE BRIDGE	0402-001258		FR103	2001-000734	CARBON RESISTOR	4.7K 5% 1/8W	
△ PBD02	GBU606	DIODE BRIDGE	0402-001258		FR104	2001-000734	CARBON RESISTOR	4.7K 5% 1/8W	
△ PBD03	KBP202G	DIODE BRIDGE	0402-001077		FR105	2001-000734	CARBON RESISTOR	4.7K 5% 1/8W	
PD201	1N4002	FR DIODE	0402-000127		FR106	2001-000734	CARBON RESISTOR	4.7K 5% 1/8W	
PD202	1N4002	FR DIODE	0402-000127		FR107	2001-000734	CARBON RESISTOR	4.7K 5% 1/8W	
PD203	1N4002	FR DIODE	0402-000127		FR108	2001-000734	CARBON RESISTOR	4.7K 5% 1/8W	
PD204	1N4002	FR DIODE	0402-000127		FR109	2001-000734	CARBON RESISTOR	4.7K 5% 1/8W	
PD205	1N4148	GE DIODE	0401-000101		FR110	2001-000734	CARBON RESISTOR	4.7K 5% 1/8W	
PD206	1N4148	GE DIODE	0401-000101		FR111	2001-000734	CARBON RESISTOR	4.7K 5% 1/8W	
PD209	1N4002	FR DIODE	0402-000127		FR112	2001-000734	CARBON RESISTOR	4.7K 5% 1/8W	
PD210	1N4002	FR DIODE	0402-000127		FR113	2001-000734	CARBON RESISTOR	4.7K 5% 1/8W	
△ PE201	2401-001067	E CAPACITOR	3300UF 20% 42V		FR114	2001-000734	CARBON RESISTOR	4.7K 5% 1/8W	
△ PE202	2401-001067	E CAPACITOR	3300UF 20% 42V		FR115	2001-000734	CARBON RESISTOR	4.7K 5% 1/8W	
△ PE203	2401-003381	E CAPACITOR	3300UF 20% 63V		FR116	2001-000734	CARBON RESISTOR	4.7K 5% 1/8W	
△ PE204	2401-003381	E CAPACITOR	3300UF 20% 63V		FR117	2001-000734	CARBON RESISTOR	4.7K 5% 1/8W	
△ PE205	2401-003116	E CAPACITOR	4700UF 20% 35V		FR118	2001-000786	CARBON RESISTOR	47K 5% 1/8W	
PE206	2401-000830	E CAPACITOR	220UF 20% 25V		FR119	2001-000786	CARBON RESISTOR	47K 5% 1/8W	
PE207	2401-000907	E CAPACITOR	22UF 20% 16V		FR120	2001-000786	CARBON RESISTOR	47K 5% 1/8W	
PE209	2401-001912	E CAPACITOR	1UF 20% 50V		FR121	2001-000786	CARBON RESISTOR	47K 5% 1/8W	
PE210	2401-001912	E CAPACITOR	1UF 20% 50V		FR122	2001-000786	CARBON RESISTOR	47K 5% 1/8W	
PE211	2401-000385	E CAPACITOR	10UF 20% 100V		FR123	2001-000786	CARBON RESISTOR	47K 5% 1/8W	
PE212	2401-000230	E CAPACITOR	100UF 20% 100V		FR124	2001-000786	CARBON RESISTOR	47K 5% 1/8W	
PE213	2401-001954	E CAPACITOR	4.7UF 20% 50V		FR125	2001-000786	CARBON RESISTOR	47K 5% 1/8W	
PE214	2401-000438	E CAPACITOR	10UF 20% 25V		FR126	2001-000786	CARBON RESISTOR	47K 5% 1/8W	
△ PF101	2008-000135	FUSIBLE RESISTO	1 5% 1/2W		FR127	2001-000786	CARBON RESISTOR	47K 5% 1/8W	
PIC02	L4959	REGULATOR	1203-001653		FR128	2001-000786	CARBON RESISTOR	47K 5% 1/8W	
PL102	2701-000298	COIL	470UH 10%		FR129	2001-000786	CARBON RESISTOR	47K 5% 1/8W	
PQ102	KSR2002	DIGI TRANSISTOR	0504-000144		FR130	2001-000786	CARBON RESISTOR	47K 5% 1/8W	
PQ103	KRC103M	DIGI TRANSISTOR	0504-001123		FR131	2001-000786	CARBON RESISTOR	47K 5% 1/8W	
PQ104	KSC1009-Y	TRANSISTOR	0501-000331		FR132	2001-000786	CARBON RESISTOR	47K 5% 1/8W	
PQ105	KTA1273	TRANSISTOR	0501-000422		FR133	2001-000786	CARBON RESISTOR	47K 5% 1/8W	
PQ106	MPS751	TRANSISTOR	0501-002408		FR134	2001-000786	CARBON RESISTOR	47K 5% 1/8W	
PR201	2001-000591	CARBON RESISTOR	3.3K 5% 1/8W		FR135	2001-000786	CARBON RESISTOR	47K 5% 1/8W	
PR202	2001-000734	CARBON RESISTOR	4.7K 5% 1/8W		FR136	2001-000786	CARBON RESISTOR	47K 5% 1/8W	
PR203	2001-000429	CARBON RESISTOR	1K 5% 1/8W		FR140	2001-000995	CARBON RESISTOR	820 5% 1/8W	
PR204	2001-000786	CARBON RESISTOR	47K 5% 1/8W		FR141	2001-000429	CARBON RESISTOR	1K 5% 1/8W	
PR205	2001-000290	CARBON RESISTOR	10K 5% 1/8W		FR142	2001-000221	CARBON RESISTOR	1.2K 5% 1/8W	
PR206	2003-000455	OMF RESISTOR	100 5% 2W		FR143	2001-000241	CARBON RESISTOR	1.5K 5% 1/8W	
PR207	2001-000563	CARBON RESISTOR	27K 5% 1/8W		FR144	2001-000258	CARBON RESISTOR	1.8K 5% 1/8W	
PR208	2001-000734	CARBON RESISTOR	4.7K 5% 1/8W		FR145	2001-000449	CARBON RESISTOR	2.2K 5% 1/8W	
PR209	2001-000111	CARBON RESISTOR	150 5% 1/4W		FR146	2001-000591	CARBON RESISTOR	3.3K 5% 1/8W	
PR210	2001-000055	CARBON RESISTOR	4.7K 5% 1/4W		FR147	2001-000890	CARBON RESISTOR	6.8K 5% 1/8W	
PR211	2001-000038	CARBON RESISTOR	390 5% 1/4W		FR148	2001-000734	CARBON RESISTOR	4.7K 5% 1/8W	
PR212	2001-000429	CARBON RESISTOR	1K 5% 1/8W		FR149	2001-000290	CARBON RESISTOR	10K 5% 1/8W	
PR213	2001-000734	CARBON RESISTOR	4.7K 5% 1/8W		FR150	2001-000522	CARBON RESISTOR	22K 5% 1/8W	
PR214	2001-000613	CARBON RESISTOR	3.9K 5% 1/8W		FR151	2001-000010	CARBON RESISTOR	68K 5% 1/8W	
PR215	2001-000890	CARBON RESISTOR	6.8K 5% 1/8W		FR152	2001-000995	CARBON RESISTOR	820 5% 1/8W	
PR216	2003-000701	OMF RESISTOR	470 5% 2W		FR153	2001-000429	CARBON RESISTOR	1K 5% 1/8W	
PR217	2001-001153	CARBON RESISTOR	47 5% 1/2W		FR154	2001-000221	CARBON RESISTOR	1.2K 5% 1/8W	
PR218	2001-001153	CARBON RESISTOR	47 5% 1/2W		FR155	2001-000241	CARBON RESISTOR	1.5K 5% 1/8W	
PR219	2001-000734	CARBON RESISTOR	4.7K 5% 1/8W		FR156	2001-000258	CARBON RESISTOR	1.8K 5% 1/8W	
PR220	2001-000290	CARBON RESISTOR	10K 5% 1/8W		FR157	2001-000449	CARBON RESISTOR	2.2K 5% 1/8W	
PR221	2001-000660	CARBON RESISTOR	33K 5% 1/8W		FR158	2001-000591	CARBON RESISTOR	3.3K 5% 1/8W	
PR222	2001-000319	CARBON RESISTOR	120K 5% 1/8W		FR159	2001-000734	CARBON RESISTOR	4.7K 5% 1/8W	
PZ101	0403-000354	Z DIODE	UZ5.1B 5.1V		FR160	2001-000890	CARBON RESISTOR	6.8K 5% 1/8W	
PZ102	0403-000564	Z DIODE	TZP16A 16V		FR161	2001-000290	CARBON RESISTOR	10K 5% 1/8W	
PZ103	0403-000564	Z DIODE	TZP16A 16V		FR162	2001-000522	CARBON RESISTOR	22K 5% 1/8W	
PZ104	0403-000393	Z DIODE	UZP5.1B 5.1V		FR201	2001-000034	CARBON RESISTOR	220 5% 1/4W	
PZ105	0403-000379	Z DIODE	UZP12B 12V		FR202	2001-000034	CARBON RESISTOR	220 5% 1/4W	
△ RFS9	3601-001295	FUSE	125V 4A		FR203	2001-000034	CARBON RESISTOR	220 5% 1/4W	
					FR204	2001-000855	CARBON RESISTOR	560 5% 1/4W	
					FR205	2001-000995	CARBON RESISTOR	820 5% 1/8W	
					FR206	2001-000429	CARBON RESISTOR	1K 5% 1/8W	
					FR207	2001-000221	CARBON RESISTOR	1.2K 5% 1/8W	
					FR208	2001-000241	CARBON RESISTOR	1.5K 5% 1/8W	
					FR209	2001-000258	CARBON RESISTOR	1.8K 5% 1/8W	
					FR210	2001-000449	CARBON RESISTOR	2.2K 5% 1/8W	
					FSR01	2103-000341	VR SEMI	2K 30% 1/10W	
					HD201	1N4148	GE DIODE	0401-000101	
					HJACK	3722-000351	JACK PHONE	11P 3.5PI AG	
					HR201	2001-000429	CARBON RESISTOR	1K 5% 1/8W	
					LD101	0601-001739	LED	ROUND RED	
					LD102	0601-001739	LED	ROUND RED	
					LD103	0601-001739	LED	ROUND RED	
					LD104	0601-001739	LED	ROUND RED	

Front board

Block No. [0][2][0][0]

△ Symbol No.	Part No.	Part Name	Description	Local
VR101	3406-001085	SWITCH ROTARY	5V DC 0.5MA NO	
VR102	3406-001084	SWITCH ROTARY	5V DC 0.5MA CLI	
VR103	3406-001084	SWITCH ROTARY	5V DC 0.5MA CLI	
BUZZ1	3002-001134	BUZZER	85DB 12V	

△ Symbol No.	Part No.	Part Name	Description	Local	△ Symbol No.	Part No.	Part Name	Description	Local
LD105	0601-001739	LED	ROUND RED		UC131	2201-000783	C CAPACITOR	100NF +80-20% 5	
LD106	0601-001739	LED	ROUND RED		UC132	2202-000797	C CAPACITOR	10NF 30% 16V	
LD107	0601-001739	LED	ROUND RED		UC133	2202-000780	C CAPACITOR	100NF +80-20% 5	
LD108	0601-001739	LED	ROUND RED		UCW01	3708-001577	CONNECTOR	30P 1.25MM	
LD201	0601-001739	LED	ROUND RED		UCW02	3708-000492	CONNECTOR	9P 1.25MM	
LD202	0601-001739	LED	ROUND RED		UCW03	3708-000492	CONNECTOR	9P 1.25MM	
LD203	0601-001739	LED	ROUND RED		UCW04	3708-000454	CONNECTOR	22P 1.25MM	
LD204	0601-001739	LED	ROUND RED		UCW05	3708-000178	CONNECTOR	16P 1.25MM	
SW100	3404-001048	TACT SWITCH	DC12V 50MA 160G		UD03	1N4148	GE DIODE	0401-000101	
SW103	3404-001048	TACT SWITCH	DC12V 50MA 160G		UD06	1N4148	GE DIODE	0401-000101	
SW104	3404-001048	TACT SWITCH	DC12V 50MA 160G		UD25	1N4148	GE DIODE	0401-000101	
SW105	3404-001048	TACT SWITCH	DC12V 50MA 160G		UD101	1N4148	GE DIODE	0401-000101	
SW106	3404-001048	TACT SWITCH	DC12V 50MA 160G		UD102	1N4148	GE DIODE	0401-000101	
SW107	3404-001048	TACT SWITCH	DC12V 50MA 160G		UD103	1N4002	FR DIODE	0402-000127	
SW203	3404-001048	TACT SWITCH	DC12V 50MA 160G		UD104	1N4148	GE DIODE	0401-000101	
SW206	3404-001048	TACT SWITCH	DC12V 50MA 160G		UD105	1N4002	FR DIODE	0402-000127	
SW207	3404-001048	TACT SWITCH	DC12V 50MA 160G		UD106	1N4002	FR DIODE	0402-000127	
SW208	3404-001048	TACT SWITCH	DC12V 50MA 160G		UD107	1N4002	FR DIODE	0402-000127	
SW209	3404-001048	TACT SWITCH	DC12V 50MA 160G		UD108	1N4002	FR DIODE	0402-000127	
SW210	3404-001048	TACT SWITCH	DC12V 50MA 160G		UD109	1N4002	FR DIODE	0402-000127	
SW211	3404-001048	TACT SWITCH	DC12V 50MA 160G		UD110	1N4002	FR DIODE	0402-000127	
SW212	3404-001048	TACT SWITCH	DC12V 50MA 160G		UIC01	LC876764C	MASK ROM	AH11-00095D	
SW301	3404-001048	TACT SWITCH	DC12V 50MA 160G		UIC02	GP1U281R	MODULE REMOCON	AC59-60060A	
SW302	3404-001048	TACT SWITCH	DC12V 50MA 160G		UIC03	PT8300	IC	0904-001621	
SW303	3404-001048	TACT SWITCH	DC12V 50MA 160G		UIC04	PT8300	IC	0904-001621	
SW304	3404-001048	TACT SWITCH	DC12V 50MA 160G		UJW7	2001-000281	CARBON RESISTOR	100 5% 1/8W	
SW305	3404-001048	TACT SWITCH	DC12V 50MA 160G		UJW20	2001-000281	CARBON RESISTOR	100 5% 1/8W	
SW306	3404-001048	TACT SWITCH	DC12V 50MA 160G		UJW70	2001-000281	CARBON RESISTOR	100 5% 1/8W	
SW307	3404-001048	TACT SWITCH	DC12V 50MA 160G		UQ101	KTC8050	TRANSISTOR	0501-002409	
SW308	3404-001048	TACT SWITCH	DC12V 50MA 160G		UQ102	KRC103M	DIGI TRANSISTOR	0504-001123	
SW309	3404-001048	TACT SWITCH	DC12V 50MA 160G		UQ103	KRC103M	DIGI TRANSISTOR	0504-001123	
SW310	3404-001048	TACT SWITCH	DC12V 50MA 160G		UQ104	KRC103M	DIGI TRANSISTOR	0504-001123	
SW311	3404-001048	TACT SWITCH	DC12V 50MA 160G		UQ107	KTA1273	TRANSISTOR	0501-000422	
SW312	3404-001048	TACT SWITCH	DC12V 50MA 160G		UQ108	KTA1273	TRANSISTOR	0501-000422	
SW313	3404-001048	TACT SWITCH	DC12V 50MA 160G		UQ109	KTA1273	TRANSISTOR	0501-000422	
UC001	2201-000783	C CAPACITOR	100NF +80-20% 5		UQ118	KTC8050	TRANSISTOR	0501-002375	
UC101	2401-002180	E CAPACITOR	2.2UF 20% 50V		UQ119	KTC8050	TRANSISTOR	0501-002375	
UC102	2401-000759	E CAPACITOR	220NF 20% 50V		UQ120	KTC8050	TRANSISTOR	0501-002375	
UC103	2401-001355	E CAPACITOR	470UF 20% 10V		UQ201	KTD2092	TR POWER	0502-001063	
UC104	2401-000240	E CAPACITOR	100UF 20% 10V		UR001	2001-000429	CARBON RESISTOR	1K 5% 1/8W	
UC105	2201-000389	C CAPACITOR	0.022NF 5% 50V		UR002	2001-000290	CARBON RESISTOR	10K 5% 1/8W	
UC106	2201-000389	C CAPACITOR	0.022NF 5% 50V		UR003	2003-000500	OMF RESISTOR	150 5% 1W	
UC107	2202-000854	C CAPACITOR	47NF 30% 50V		UR004	2001-000429	CARBON RESISTOR	1K 5% 1/8W	
UC108	2202-000854	C CAPACITOR	47NF 30% 50V		UR100	2001-000734	CARBON RESISTOR	4.7K 5% 1/8W	
UC109	2202-000796	C CAPACITOR	1NF 10% 50V		UR101	2001-000449	CARBON RESISTOR	2.2K 5% 1/8W	
UC110	2201-000565	C CAPACITOR	47NF +80-20% 50		UR102	2001-000734	CARBON RESISTOR	4.7K 5% 1/8W	
UC111	2401-000475	E CAPACITOR	10UF 20% 50V		UR103	2001-000508	CARBON RESISTOR	220K 5% 1/8W	
UC112	2202-000854	C CAPACITOR	47NF 30% 50V		UR104	2001-000793	CARBON RESISTOR	47 5% 1/8W	
UC113	2401-000475	E CAPACITOR	10UF 20% 50V		UR105	2001-000295	CARBON RESISTOR	10M 5% 1/8W	
UC114	2201-000783	C CAPACITOR	100NF +80-20% 5		UR106	2001-000850	CARBON RESISTOR	560K 5% 1/8W	
UC115	2401-000240	E CAPACITOR	100UF 20% 10V		UR107	2001-000435	CARBON RESISTOR	1M 5% 1/8W	
UC116	2401-001364	E CAPACITOR	470UF 20% 16V		UR108	2001-000290	CARBON RESISTOR	10K 5% 1/8W	
UC118	2401-000830	E CAPACITOR	220UF 20% 25V		UR109	2001-000290	CARBON RESISTOR	10K 5% 1/8W	
UC130	2401-000240	E CAPACITOR	100UF 20% 10V		UR110	2001-000290	CARBON RESISTOR	10K 5% 1/8W	
					UR111	2001-000290	CARBON RESISTOR	10K 5% 1/8W	
					UR112	2001-000290	CARBON RESISTOR	10K 5% 1/8W	
					UR113	2001-000429	CARBON RESISTOR	1K 5% 1/8W	
					UR114	2001-000429	CARBON RESISTOR	1K 5% 1/8W	
					UR115	2001-000429	CARBON RESISTOR	1K 5% 1/8W	
					UR116	2001-000281	CARBON RESISTOR	100 5% 1/8W	
					UR117	2001-000281	CARBON RESISTOR	100 5% 1/8W	
					UR118	2001-000281	CARBON RESISTOR	100 5% 1/8W	
					UR119	2001-000281	CARBON RESISTOR	100 5% 1/8W	
					UR120	2001-000281	CARBON RESISTOR	100 5% 1/8W	
					UR121	2001-000290	CARBON RESISTOR	10K 5% 1/8W	
					UR122	2001-000281	CARBON RESISTOR	100 5% 1/8W	
					UR123	2001-000281	CARBON RESISTOR	100 5% 1/8W	
					UR124	2001-000281	CARBON RESISTOR	100 5% 1/8W	
					UR125	2001-000281	CARBON RESISTOR	100 5% 1/8W	
					UR126	2001-000281	CARBON RESISTOR	100 5% 1/8W	
					UR127	2001-000281	CARBON RESISTOR	100 5% 1/8W	
					UR128	2001-000281	CARBON RESISTOR	100 5% 1/8W	
					UR129	2001-000290	CARBON RESISTOR	10K 5% 1/8W	
					UR130	2001-000290	CARBON RESISTOR	10K 5% 1/8W	
					UR131	2001-000290	CARBON RESISTOR	10K 5% 1/8W	
					UR132	2001-000290	CARBON RESISTOR	10K 5% 1/8W	
					UR133	2001-000290	CARBON RESISTOR	10K 5% 1/8W	
					UR134	2001-000290	CARBON RESISTOR	10K 5% 1/8W	

△ Symbol No.	Part No.	Part Name	Description	Local	△ Symbol No.	Part No.	Part Name	Description	Local
UR135	2001-000290	CARBON RESISTOR	10K 5% 1/8W		AC22R	2201-000838	C CAPACITOR	0.003NF 0.25PF	
UR136	2001-000290	CARBON RESISTOR	10K 5% 1/8W		AC25L	2301-000375	M CAPACITOR	100NF 10% 50V	
UR137	2001-000290	CARBON RESISTOR	10K 5% 1/8W		AC25R	2301-000375	M CAPACITOR	100NF 10% 50V	
UR138	2001-000290	CARBON RESISTOR	10K 5% 1/8W		AC30L	2301-000412	M CAPACITOR	22NF 10% 50V	
UR139	2001-000290	CARBON RESISTOR	10K 5% 1/8W		AC30R	2301-000412	M CAPACITOR	22NF 10% 50V	
UR140	2001-000290	CARBON RESISTOR	10K 5% 1/8W		AC33L	2301-000412	M CAPACITOR	22NF 10% 50V	
UR141	2001-000290	CARBON RESISTOR	10K 5% 1/8W		AC33R	2301-000412	M CAPACITOR	22NF 10% 50V	
UR142	2001-000290	CARBON RESISTOR	10K 5% 1/8W		AC50L	2201-000381	C CAPACITOR	22NF +80% 50V	
UR143	2001-000290	CARBON RESISTOR	10K 5% 1/8W		AC50R	2201-000381	C CAPACITOR	22NF +80% 50V	
UR144	2001-000290	CARBON RESISTOR	10K 5% 1/8W		AC51L	2201-000381	C CAPACITOR	22NF +80% 50V	
UR145	2001-000522	CARBON RESISTOR	22K 5% 1/8W		AC51R	2201-000381	C CAPACITOR	22NF +80% 50V	
UR146	2001-000522	CARBON RESISTOR	22K 5% 1/8W		AC603	2201-000783	C CAPACITOR	100NF +80-20% 5	
UR147	2001-000522	CARBON RESISTOR	22K 5% 1/8W		AC604	2201-000783	C CAPACITOR	100NF +80-20% 5	
UR148	2001-000449	CARBON RESISTOR	2.2K 5% 1/8W		AC607	2201-000532	C CAPACITOR	4.7NF 10% 50V	
UR149	2001-000734	CARBON RESISTOR	4.7K 5% 1/8W		AC608	2201-000532	C CAPACITOR	4.7NF 10% 50V	
UR150	2001-000522	CARBON RESISTOR	22K 5% 1/8W		ACW1	3708-001167	CONNECTOR	14P 1.25MM	
UR152	2001-000034	CARBON RESISTOR	220 5% 1/4W		ACW2	3711-003113	CONNECTOR	9P 1R 2.5MM	
UR153	2001-000034	CARBON RESISTOR	220 5% 1/4W		AD100	1N4148	GE DIODE	0401-000101	
UR154	2001-000034	CARBON RESISTOR	220 5% 1/4W		AD101	1N4148	GE DIODE	0401-000101	
UR155	2001-000034	CARBON RESISTOR	220 5% 1/4W		AD102	1N4148	GE DIODE	0401-000101	
UR156	2001-000034	CARBON RESISTOR	220 5% 1/4W		AD103	1N4148	GE DIODE	0401-000101	
UR157	2001-000034	CARBON RESISTOR	220 5% 1/4W		AD104	1N4148	GE DIODE	0401-000101	
UR158	2001-000034	CARBON RESISTOR	220 5% 1/4W		AD105	1N4148	GE DIODE	0401-000101	
UR159	2001-000034	CARBON RESISTOR	220 5% 1/4W		AD303	1N4002	FR DIODE	0402-000127	
UR160	2001-001178	CARBON RESISTOR	680 5% 1/2W		AD304	1N4002	FR DIODE	0402-000127	
UR161	2001-001178	CARBON RESISTOR	680 5% 1/2W		AE100	2401-000357	E CAPACITOR	100UF 0.2 50V	
UR162	2001-001178	CARBON RESISTOR	680 5% 1/2W		AE101	2401-001164	E CAPACITOR	33UF 20% 16V	
UR166	2001-000613	CARBON RESISTOR	3.9K 5% 1/8W		AE102	2401-000357	E CAPACITOR	100UF 0.2 50V	
UR170	2001-000290	CARBON RESISTOR	10K 5% 1/8W		AE103	2401-000357	E CAPACITOR	100UF 0.2 50V	
UR171	2001-000290	CARBON RESISTOR	10K 5% 1/8W		AE10L	2401-002180	E CAPACITOR	2.2UF 20% 50V	
UR172	2001-000786	CARBON RESISTOR	47K 5% 1/8W		AE10R	2401-002180	E CAPACITOR	2.2UF 20% 50V	
UR173	2001-000786	CARBON RESISTOR	47K 5% 1/8W		AE11L	2401-000407	E CAPACITOR	10UF 20% 16V	
UR180	2001-000008	CARBON RESISTOR	15K 5% 1/8W		AE11R	2401-000407	E CAPACITOR	10UF 20% 16V	
UR181	2001-000660	CARBON RESISTOR	33K 5% 1/8W		AE200	2401-000230	E CAPACITOR	100UF 20% 100V	
UR182	2001-000281	CARBON RESISTOR	100 5% 1/8W		AE201	2401-000230	E CAPACITOR	100UF 20% 100V	
UR183	2001-000786	CARBON RESISTOR	47K 5% 1/8W		AE202	2401-000230	E CAPACITOR	100UF 20% 100V	
UR184	2001-000786	CARBON RESISTOR	47K 5% 1/8W		AE203	2401-000357	E CAPACITOR	100UF 0.2 50V	
UX101	2801-001394	CRYSTAL	32.768KHZ 20PPM		AE204	2401-000357	E CAPACITOR	100UF 0.2 50V	
UX102	2802-001174	RESONATOR	10MHZ 0.5%		AE205	2401-000230	E CAPACITOR	100UF 20% 100V	
XXX	AH94-011454	TAPG ASSY	FRONT-AUTO		AE206	2401-001538	E CAPACITOR	47UF 20% 25V	
ZD101	0403-000334	Z DIODE	UZ2.7BSA 2.7V		AE20L	2401-002180	E CAPACITOR	2.2UF 20% 50V	
ZD102	0403-000334	Z DIODE	UZ2.7BSA 2.7V		AE20R	2401-002180	E CAPACITOR	2.2UF 20% 50V	
ZD103	0403-000334	Z DIODE	UZ2.7BSA 2.7V		AE21L	2401-000407	E CAPACITOR	10UF 20% 16V	
ZD104	0403-000361	Z DIODE	UZ6.2BSB 6.2V		AE21R	2401-000407	E CAPACITOR	10UF 20% 16V	
					AE500	2401-001895	E CAPACITOR	100UF 20% 16V	
					AE501	2401-001895	E CAPACITOR	100UF 20% 16V	
					AE50L	2401-000459	E CAPACITOR	10UF 20% 35V	
					AE50R	2401-000459	E CAPACITOR	10UF 20% 35V	
					AJW9	2001-000331	CARBON RESISTOR	12K 5% 1/8W	
					AL10R	AH27-90001A	COIL SPRING	2.2UH	
					AL10L	AH27-90001A	COIL SPRING	2.2UH	
					AL20L	AH27-90001A	COIL SPRING	2.2UH	
					AL20R	AH27-90001A	COIL SPRING	2.2UH	
					AQ03	KTA1268	TRANSISTOR	0501-000630	
					AQ04	KTC3200	TRANSISTOR	0501-000440	
					AQ05	KTC3199-Y	TRANSISTOR	0501-000014	
					AQ06	KTC3199-Y	TRANSISTOR	0501-000014	
					AQ01L	KTA1268	TRANSISTOR	0501-000630	
					AQ01R	KTA1268	TRANSISTOR	0501-000630	
					AQ02L	KTA1268	TRANSISTOR	0501-000630	
					AQ02R	KTA1268	TRANSISTOR	0501-000630	
					AQ100	KTC8050	TRANSISTOR	0501-002375	
					AQ10L	KTC8050	TRANSISTOR	0501-002375	
					AQ10R	KTC8050	TRANSISTOR	0501-002375	
					AQ201	KTD863	TRANSISTOR	0501-002176	
					AQ202	KTA1273	TRANSISTOR	0501-000422	
					AQ301	KTD863	TRANSISTOR	0501-002176	
					AQ401	KTD863	TRANSISTOR	0501-002176	
					AQ50L	KTC8050	TRANSISTOR	0501-002375	
					AQ50R	KTC8050	TRANSISTOR	0501-002375	
					AQ603	KTC8050	TRANSISTOR	0501-002375	
					AR15	2009-001081	OMF RESISTOR	0.22 5% 7W	
					AR24	2009-001081	OMF RESISTOR	0.22 5% 7W	
					AR25	2009-001081	OMF RESISTOR	0.22 5% 7W	
					AR31	2009-001081	OMF RESISTOR	0.22 5% 7W	
					AR44	2001-000290	CARBON RESISTOR	10K 5% 1/8W	
					AR45	2001-000273	CARBON RESISTOR	100K 5% 1/8W	
					AR46	2001-000273	CARBON RESISTOR	100K 5% 1/8W	

Amp. board

Block No. [0][3][0][0]

△ Symbol No.	Part No.	Part Name	Description	Local
△ PW101	3711-000190	CONNECTOR	2P 1R 7.92MM	
PC101	2201-002128	C CAPACITOR	4.7NF 20% 400V	
PC102	2201-002128	C CAPACITOR	4.7NF 20% 400V	
R52	2001-000110	CARBON RESISTOR	10 5% 1/4W	
AC36	2401-000438	E CAPACITOR	10UF 20% 25V	
AC37	2401-001511	E CAPACITOR	47UF 20% 16V	
AC41	2301-000375	M CAPACITOR	100NF 10% 50V	
AC52	2401-001538	E CAPACITOR	47UF 20% 25V	
AC10L	2202-000263	C CAPACITOR	470PF 10% 50V	
AC10R	2202-000263	C CAPACITOR	470PF 10% 50V	
AC11L	2201-000557	C CAPACITOR	0.47NF 10% 50V	
AC11R	2201-000557	C CAPACITOR	0.47NF 10% 50V	
AC12L	2201-000838	C CAPACITOR	0.003NF 0.25PF	
AC12R	2201-000838	C CAPACITOR	0.003NF 0.25PF	
AC13L	2301-000375	M CAPACITOR	100NF 10% 50V	
AC13R	2301-000375	M CAPACITOR	100NF 10% 50V	
AC20L	2202-000263	C CAPACITOR	470PF 10% 50V	
AC20R	2202-000263	C CAPACITOR	470PF 10% 50V	
AC21L	2201-000146	C CAPACITOR	0.1NF 5% 50V	
AC21R	2201-000146	C CAPACITOR	0.1NF 5% 50V	
AC22L	2201-000838	C CAPACITOR	0.003NF 0.25PF	

△ Symbol No.	Part No.	Part Name	Description	Local	△ Symbol No.	Part No.	Part Name	Description	Local
AR47	2001-000290	CARBON RESISTOR	10K 5% 1/8W		AR54R	2001-000786	CARBON RESISTOR	47K 5% 1/8W	
AR49	2001-000290	CARBON RESISTOR	10K 5% 1/8W		AR55L	2001-000591	CARBON RESISTOR	3.3K 5% 1/8W	
AR50	2001-000429	CARBON RESISTOR	1K 5% 1/8W		AR55R	2001-000591	CARBON RESISTOR	3.3K 5% 1/8W	
AR51	2001-000019	CARBON RESISTOR	10 5% 1/2W		AR603	2001-000591	CARBON RESISTOR	3.3K 5% 1/8W	
AR52	2001-000019	CARBON RESISTOR	10 5% 1/2W		ARL1	3501-001197	RELAY	12VDC 0.54W 44.	
AR031	2001-000110	CARBON RESISTOR	10 5% 1/4W		ARL2	3501-001197	RELAY	12VDC 0.54W 44.	
AR101	2003-000008	OMF RESISTOR	100 5% 1W		AZ203	0403-000354	Z DIODE	UZ5.1B 5.1V	
AR102	2001-000660	CARBON RESISTOR	33K 5% 1/8W		AZD20	0403-000382	Z DIODE	UZP15B 15V	
AR103	2001-000429	CARBON RESISTOR	1K 5% 1/8W		AZD21	0403-000382	Z DIODE	UZP15B 15V	
AR104	2001-000449	CARBON RESISTOR	2.2K 5% 1/8W		FIC01	STK403-070	IC POWER AMP	1201-001955	
AR10L	2001-000591	CARBON RESISTOR	3.3K 5% 1/8W		FIC02	BA4558	IC	1201-000191	
AR10R	2001-000591	CARBON RESISTOR	3.3K 5% 1/8W		HRFS2	3602-000147	FUSE CLIP		
AR11L	2001-000429	CARBON RESISTOR	1K 5% 1/8W		HRFS5	3602-000147	FUSE CLIP		
AR11R	2001-000429	CARBON RESISTOR	1K 5% 1/8W		HRFS6	3602-000147	FUSE CLIP		
AR12L	2001-000864	CARBON RESISTOR	56K 5% 1/8W		HRFS7	3602-000147	FUSE CLIP		
AR12R	2001-000864	CARBON RESISTOR	56K 5% 1/8W		HRFS8	3602-000147	FUSE CLIP		
AR13L	2001-000472	CARBON RESISTOR	2.7K 5% 1/8W		PCW1	3711-000588	CONNECTOR	10P 1R 2.5MM	
AR13R	2001-000472	CARBON RESISTOR	2.7K 5% 1/8W		PL101	AH27-10001F	COIL CHOKE	27UH K Q30	
AR14L	2001-000258	CARBON RESISTOR	1.8K 5% 1/8W		PL102	AH27-10001F	COIL CHOKE	27UH K Q30	
AR14R	2001-000258	CARBON RESISTOR	1.8K 5% 1/8W		△ RFS2	3601-001248	FUSE	125V 5A	
AR16L	2001-000017	CARBON RESISTOR	4.7 5% 1/4W		△ RFS5	3601-001285	FUSE	125V 6.3A	
AR16R	2001-000017	CARBON RESISTOR	4.7 5% 1/4W		△ RFS6	3601-001285	FUSE	125V 6.3A	
AR17L	2003-000689	OMF RESISTOR	4.7 5% 1W		△ RFS7	3601-001201	FUSE	125V 8A	
AR17R	2003-000689	OMF RESISTOR	4.7 5% 1W		△ RFS8	3601-001201	FUSE	125V 8A	
AR18L	2001-000864	CARBON RESISTOR	56K 5% 1/8W		SPK	3716-001208	TERMINAL BLOCK	8P 12.5MM	
AR18R	2001-000864	CARBON RESISTOR	56K 5% 1/8W		WIC01	STK412-020	IC POWER AMP	1201-001844	
AR202	2003-000428	OMF RESISTOR	1.5K 5% 1W						
AR203	2003-000428	OMF RESISTOR	1.5K 5% 1W						
AR204	2001-000331	CARBON RESISTOR	12K 5% 1/8W						
AR20L	2001-000429	CARBON RESISTOR	1K 5% 1/8W						
AR20R	2001-000429	CARBON RESISTOR	1K 5% 1/8W						
AR211	2003-000008	OMF RESISTOR	100 5% 1W						
AR212	2003-000008	OMF RESISTOR	100 5% 1W						
AR21L	2001-000864	CARBON RESISTOR	56K 5% 1/8W						
AR21R	2001-000864	CARBON RESISTOR	56K 5% 1/8W						
AR22L	2001-000258	CARBON RESISTOR	1.8K 5% 1/8W						
AR22R	2001-000258	CARBON RESISTOR	1.8K 5% 1/8W						
AR23L	2001-000864	CARBON RESISTOR	56K 5% 1/8W						
AR23R	2001-000864	CARBON RESISTOR	56K 5% 1/8W						
AR26L	2001-000017	CARBON RESISTOR	4.7 5% 1/4W						
AR26R	2001-000017	CARBON RESISTOR	4.7 5% 1/4W						
AR27L	2003-000689	OMF RESISTOR	4.7 5% 1W						
AR27R	2003-000689	OMF RESISTOR	4.7 5% 1W						
AR302	2001-000273	CARBON RESISTOR	100K 5% 1/8W						
AR303	2001-000515	CARBON RESISTOR	220 5% 1/8W						
AR307	2003-000708	OMF RESISTOR	47 5% 1W						
AR308	2001-000449	CARBON RESISTOR	2.2K 5% 1/8W						
AR31L	2001-000449	CARBON RESISTOR	2.2K 5% 1/8W						
AR31R	2001-000449	CARBON RESISTOR	2.2K 5% 1/8W						
AR32L	2001-000515	CARBON RESISTOR	220 5% 1/8W						
AR32R	2001-000515	CARBON RESISTOR	220 5% 1/8W						
AR33L	2001-000290	CARBON RESISTOR	10K 5% 1/8W						
AR33R	2001-000290	CARBON RESISTOR	10K 5% 1/8W						
AR37L	2001-000429	CARBON RESISTOR	1K 5% 1/8W						
AR37R	2001-000429	CARBON RESISTOR	1K 5% 1/8W						
AR38L	2001-000429	CARBON RESISTOR	1K 5% 1/8W						
AR38R	2001-000429	CARBON RESISTOR	1K 5% 1/8W						
AR39L	2001-000290	CARBON RESISTOR	10K 5% 1/8W						
AR39R	2001-000290	CARBON RESISTOR	10K 5% 1/8W						
AR401	2001-000515	CARBON RESISTOR	220 5% 1/8W						
AR402	2001-000290	CARBON RESISTOR	10K 5% 1/8W						
AR40L	2001-000290	CARBON RESISTOR	10K 5% 1/8W						
AR40R	2001-000290	CARBON RESISTOR	10K 5% 1/8W						
AR42L	2001-000273	CARBON RESISTOR	100K 5% 1/8W						
AR42R	2001-000273	CARBON RESISTOR	100K 5% 1/8W						
AR43L	2001-000273	CARBON RESISTOR	100K 5% 1/8W						
AR43R	2001-000273	CARBON RESISTOR	100K 5% 1/8W						
AR500	2001-000027	CARBON RESISTOR	100 5% 1/4W						
AR501	2001-000027	CARBON RESISTOR	100 5% 1/4W						
AR50L	2001-000864	CARBON RESISTOR	56K 5% 1/8W						
AR50R	2001-000864	CARBON RESISTOR	56K 5% 1/8W						
AR51L	2001-001000	CARBON RESISTOR	82K 5% 1/8W						
AR51R	2001-001000	CARBON RESISTOR	82K 5% 1/8W						
AR52L	2001-000429	CARBON RESISTOR	1K 5% 1/8W						
AR52R	2001-000429	CARBON RESISTOR	1K 5% 1/8W						
AR53L	2001-000522	CARBON RESISTOR	22K 5% 1/8W						
AR53R	2001-000522	CARBON RESISTOR	22K 5% 1/8W						
AR54L	2001-000786	CARBON RESISTOR	47K 5% 1/8W						

CD board

Block No. [0][4][0][0]

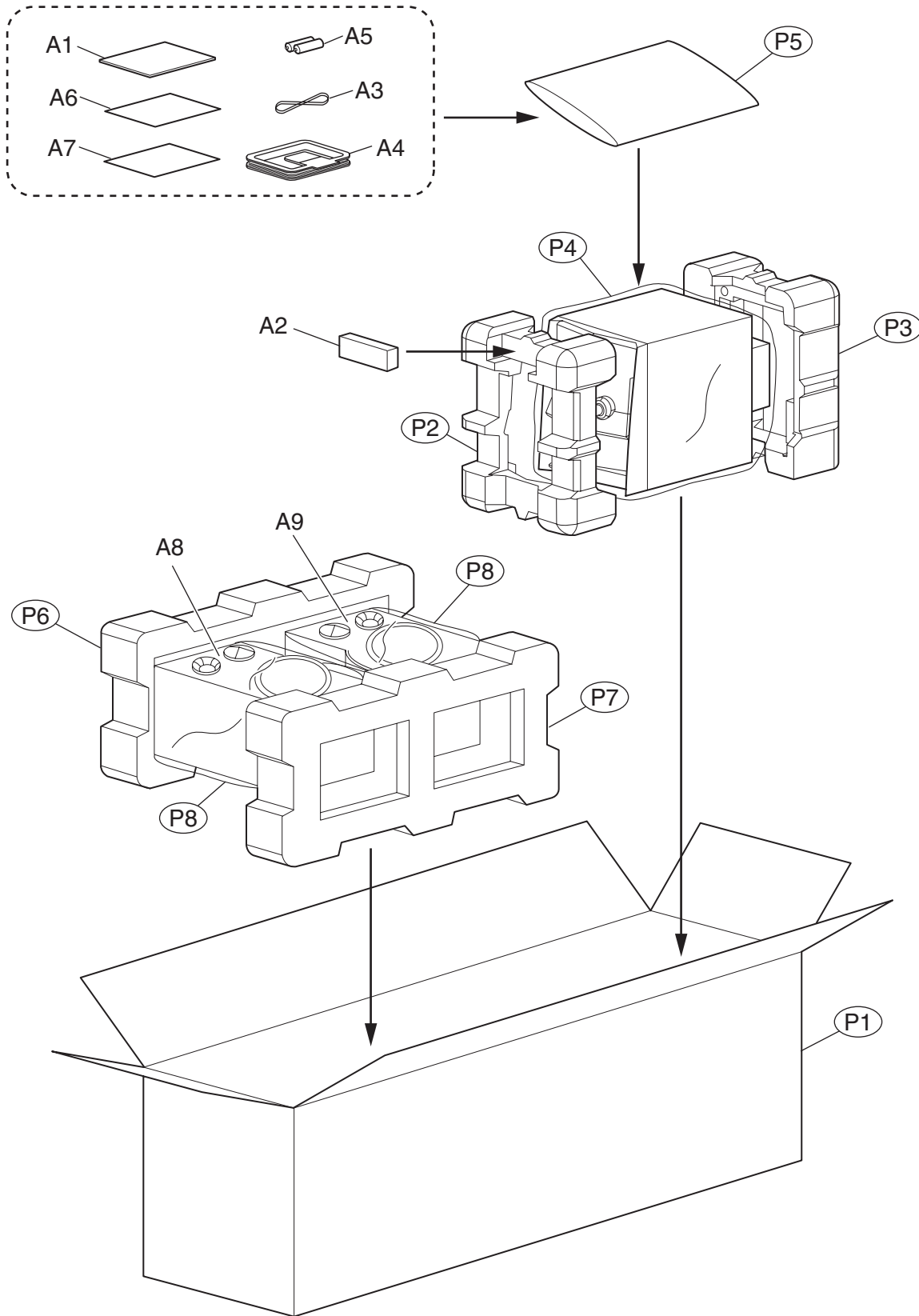
△ Symbol No.	Part No.	Part Name	Description	Local
Q101	KSA812	TRANSISTOR	0501-000314	
Q301	KSA928A-Y	TRANSISTOR	0501-000610	
Q302	KSC1008	TRANSISTOR	0501-000010	
D301	1N5392	FR DIODE	0402-000151	
C101	2401-000240	E CAPACITOR	100UF 20% 10V	
C102	2203-001537	CHIP CAPACITOR	1NF 10% 50V	
C103	2203-001551	CHIP CAPACITOR	1.5NF 10% 50V	
C104	2203-001551	CHIP CAPACITOR	1.5NF 10% 50V	
C105	2203-000609	CHIP CAPACITOR	22NF 10% 50V	
C106	2203-001137	CHIP CAPACITOR	68NF +80-20% 50	
C107	2401-000240	E CAPACITOR	100UF 20% 10V	
C108	2401-000240	E CAPACITOR	100UF 20% 10V	
C111	2203-000892	CHIP CAPACITOR	4.7NF 10% 50V	
C112	2203-000892	CHIP CAPACITOR	4.7NF 10% 50V	
C113	2202-000780	C CAPACITOR	100NF +80-20% 5	
C114	2401-001625	E CAPACITOR	6.8UF 20% 50V	
C115	2203-000203	CHIP CAPACITOR	100NF 10% 16V	
C116	2203-000203	CHIP CAPACITOR	100NF 10% 16V	
C117	2203-001537	CHIP CAPACITOR	1NF 10% 50V	
C118	2203-000203	CHIP CAPACITOR	100NF 10% 16V	
C119	2203-000802	CHIP CAPACITOR	33NF 10% 50V	
C120	2401-001968	E CAPACITOR	470NF 20% 50V	
C121	2203-000260	CHIP CAPACITOR	10NF 10% 50V	
C122	2203-001137	CHIP CAPACITOR	68NF +80-20% 50	
C123	2401-000438	E CAPACITOR	10UF 20% 25V	
C124	2203-000203	CHIP CAPACITOR	100NF 10% 16V	
C125	2203-000840	CHIP CAPACITOR	0.39NF 5% 50V	
C126	2203-000495	CHIP CAPACITOR	2.2NF 10% 50V	
C127	2203-000595	CHIP CAPACITOR	0.22NF 5% 50V	
C128	2203-000802	CHIP CAPACITOR	33NF 10% 50V	
C129	2203-000203	CHIP CAPACITOR	100NF 10% 16V	
C130	2203-000203	CHIP CAPACITOR	100NF 10% 16V	
C131	2203-000203	CHIP CAPACITOR	100NF 10% 16V	
C132	2203-000203	CHIP CAPACITOR	100NF 10% 16V	
C133	2401-000240	E CAPACITOR	100UF 20% 10V	
C134	2203-000260	CHIP CAPACITOR	10NF 10% 50V	
C135	2401-001968	E CAPACITOR	470NF 20% 50V	
C201	2203-001619	CHIP CAPACITOR	0.027NF 5% 50V	
C202	2203-001619	CHIP CAPACITOR	0.027NF 5% 50V	
C203	2203-001223	CHIP CAPACITOR	0.82NF 10% 50V	

△ Symbol No.	Part No.	Part Name	Description	Local	△ Symbol No.	Part No.	Part Name	Description	Local
C204	2203-000203	CHIP CAPACITOR	100NF 10% 16V		R206	2007-000468	CHIP RESISTOR	1K 5% 1/10W	
C205	2203-000203	CHIP CAPACITOR	100NF 10% 16V		R207	2007-000468	CHIP RESISTOR	1K 5% 1/10W	
C207	2203-000260	CHIP CAPACITOR	10NF 10% 50V		R208	2007-000468	CHIP RESISTOR	1K 5% 1/10W	
C208	2203-000858	CHIP CAPACITOR	0.039NF 5% 50V		R209	2007-000468	CHIP RESISTOR	1K 5% 1/10W	
C209	2203-000260	CHIP CAPACITOR	10NF 10% 50V		R210	2007-000572	CHIP RESISTOR	220 5% 1/10W	
C211	2203-000203	CHIP CAPACITOR	100NF 10% 16V		R211	2001-000429	CARBON RESISTOR	1K 5% 1/8W	
C212	2401-000240	E CAPACITOR	100UF 20% 10V		R212	2001-000429	CARBON RESISTOR	1K 5% 1/8W	
C213	2203-000260	CHIP CAPACITOR	10NF 10% 50V		R213	2007-000468	CHIP RESISTOR	1K 5% 1/10W	
C214	2203-000260	CHIP CAPACITOR	10NF 10% 50V		R301	2008-000140	FUSIBLE RESISTO	2.2 5% 1/2W	
C215	2401-000240	E CAPACITOR	100UF 20% 10V		R302	2001-001006	CARBON RESISTOR	82 5% 1/8W	
C216	2203-000260	CHIP CAPACITOR	10NF 10% 50V		R501	2007-000282	CHIP RESISTOR	100K 5% 1/10W	
C217	2401-000240	E CAPACITOR	100UF 20% 10V		R502	2007-000290	CHIP RESISTOR	100 5% 1/10W	
C218	2203-000260	CHIP CAPACITOR	10NF 10% 50V		R601	2007-000468	CHIP RESISTOR	1K 5% 1/10W	
C301	2401-001102	E CAPACITOR	330UF 20% 16V		R602	2007-000468	CHIP RESISTOR	1K 5% 1/10W	
C302	2401-000240	E CAPACITOR	100UF 20% 10V		R603	2007-000468	CHIP RESISTOR	1K 5% 1/10W	
C303	2401-000240	E CAPACITOR	100UF 20% 10V		R604	2001-000515	CARBON RESISTOR	220 5% 1/8W	
C304	2203-000260	CHIP CAPACITOR	10NF 10% 50V		R605	2001-000429	CARBON RESISTOR	1K 5% 1/8W	
C305	2203-000260	CHIP CAPACITOR	10NF 10% 50V		R801	2007-000468	CHIP RESISTOR	1K 5% 1/10W	
C401	2203-000260	CHIP CAPACITOR	10NF 10% 50V		R802	2007-000468	CHIP RESISTOR	1K 5% 1/10W	
C402	2203-000260	CHIP CAPACITOR	10NF 10% 50V		R803	2001-000429	CARBON RESISTOR	1K 5% 1/8W	
C403	2203-000203	CHIP CAPACITOR	100NF 10% 16V		R804	2007-000468	CHIP RESISTOR	1K 5% 1/10W	
C601	2203-000260	CHIP CAPACITOR	10NF 10% 50V		R805	2007-000468	CHIP RESISTOR	1K 5% 1/10W	
C602	2203-000260	CHIP CAPACITOR	10NF 10% 50V		R806	2007-000468	CHIP RESISTOR	1K 5% 1/10W	
C603	2401-000240	E CAPACITOR	100UF 20% 10V		R807	2007-000872	CHIP RESISTOR	4.7K 5% 1/10W	
C604	2203-000203	CHIP CAPACITOR	100NF 10% 16V		R808	2007-000872	CHIP RESISTOR	4.7K 5% 1/10W	
C605	2203-001223	CHIP CAPACITOR	0.82NF 10% 50V		R809	2007-000300	CHIP RESISTOR	10K 5% 1/10W	
C606	2203-000203	CHIP CAPACITOR	100NF 10% 16V		R809	2007-000872	CHIP RESISTOR	4.7K 5% 1/10W	
C607	2203-000203	CHIP CAPACITOR	100NF 10% 16V		R810	2001-000362	CARBON RESISTOR	150 5% 1/8W	
C608	2203-001223	CHIP CAPACITOR	0.82NF 10% 50V		R811	2007-000468	CHIP RESISTOR	1K 5% 1/10W	
C610	2203-000203	CHIP CAPACITOR	100NF 10% 16V		R812	2007-000468	CHIP RESISTOR	1K 5% 1/10W	
C611	2203-000203	CHIP CAPACITOR	100NF 10% 16V		R813	2007-000941	CHIP RESISTOR	47K 5% 1/10W	
C612	2203-000203	CHIP CAPACITOR	100NF 10% 16V		R501L	2007-000282	CHIP RESISTOR	100K 5% 1/10W	
C801	2401-002183	E CAPACITOR	220UF 20% 16V		R502L	2007-000290	CHIP RESISTOR	100 5% 1/10W	
C803	2203-000787	CHIP CAPACITOR	0.33NF 5% 50V		CW101	3708-001252	CONNECTOR	16P 1MM	
C804	2202-000243	C CAPACITOR	33PF 5% 50V		CW102	AH39-20561P	LEAD CONNECTOR	6P 150MM	
C805	2202-000243	C CAPACITOR	33PF 5% 50V		CW103	3708-001131	CONNECTOR	5P 1.25MM	
C806	2202-000243	C CAPACITOR	33PF 5% 50V		CW104	3711-003379	CONNECTOR	3P 1R 2.5MM	
C124A	2203-001064	CHIP CAPACITOR	56NF 10% 50V		CW105	3708-001438	CONNECTOR	22P 1.25MM	
C501L	2401-001954	E CAPACITOR	4.7UF 20% 50V		CW106	AH39-00060A	LEAD CONNECTOR		
C501R	2401-001954	E CAPACITOR	4.7UF 20% 50V		CW107	3711-000906	CONNECTOR	3P 1R 2MM	
C502L	2203-001537	CHIP CAPACITOR	1NF 10% 50V		DR1	2007-000872	CHIP RESISTOR	4.7K 5% 1/10W	
C502R	2203-001537	CHIP CAPACITOR	1NF 10% 50V		DR2	2007-000872	CHIP RESISTOR	4.7K 5% 1/10W	
C603A	2202-000780	C CAPACITOR	100NF +80-20% 5		WC101	KB9226	IC	1204-001799	
R101	2007-001039	CHIP RESISTOR	56K 5% 1/10W		WC201	S5L9290	IC	0904-001524	
R102	2007-001039	CHIP RESISTOR	56K 5% 1/10W		WC301	KA9258D	IC	1003-000179	
R103	2007-001039	CHIP RESISTOR	56K 5% 1/10W		WC401	KA3082	IC	1003-001162	
R104	2007-001039	CHIP RESISTOR	56K 5% 1/10W		WC402	KA3082	IC	1003-001162	
R105	2007-000409	CHIP RESISTOR	15K 5% 1/10W		WC601	S5L9276	IC	1204-001885	
R105	2007-001208	CHIP RESISTOR	82K 5% 1/10W		WC602	M11L1644	IC	1105-001339	
R106	2007-001208	CHIP RESISTOR	82K 5% 1/10W		WC801	KA78L05	IC	AC14-12001G	
R107	2007-001216	CHIP RESISTOR	82 5% 1/10W		X201	2802-000211	RESONATOR	16.93MHZ 0.5%	
R108	2007-000308	CHIP RESISTOR	10 5% 1/10W		XXX	3809-001211	CABLE FLAT	250MM 30P 1.25MM	
R110	2007-000409	CHIP RESISTOR	15K 5% 1/10W		XXX	3809-001228	CABLE FLAT	350MM 9P 1.25MM	
R112	2007-001195	CHIP RESISTOR	820K 5% 1/10W		XXX	3809-001259	CABLE FLAT	150MM 16P 1.25MM	
R113	2007-000444	CHIP RESISTOR	180K 5% 1/10W		XXX	3809-001413	CABLE FLAT	80MM 14P 1.25MM	
R114	2007-000001	CHIP RESISTOR	68K 5% 1/10W		XXX	3809-001434	CABLE FLAT	100MM 12P 1.25M	
R115	2007-001177	CHIP RESISTOR	8.2K 5% 1/10W		XXX	AH39-00022A	LEAD CONNECTOR		
R116	2007-000546	CHIP RESISTOR	20K 5% 1/10W		XXX	AH39-20002D	LEAD CONNECTOR	3P 300MM	
R117	2001-000331	CARBON RESISTOR	12K 5% 1/8W		XXX	3809-20021D	CABLE FLAT		
R118	2007-000477	CHIP RESISTOR	1M 5% 1/10W		XXX	AH38-12001A	LEAD CONNECTOR		
R119	2007-001208	CHIP RESISTOR	82K 5% 1/10W		XXX	3809-001121	CABLE FLAT		
R120	2007-001039	CHIP RESISTOR	56K 5% 1/10W		XXX	3809-001034	CABLE FLAT		
R121	2007-000409	CHIP RESISTOR	15K 5% 1/10W		ZD301	0403-000344	Z DIODE	UZ3.9B 3.9V	
R123	2007-000941	CHIP RESISTOR	47K 5% 1/10W		ZD401	0403-000361	Z DIODE	UZ6.2BSB 6.2V	
R124	2007-000338	CHIP RESISTOR	120K 5% 1/10W		ZD402	0403-000352	Z DIODE	UZ4.7BM 4.7V	
R125	2007-000338	CHIP RESISTOR	120K 5% 1/10W						
R126	2007-001039	CHIP RESISTOR	56K 5% 1/10W						
R127	2007-001208	CHIP RESISTOR	82K 5% 1/10W						
R128	2007-000653	CHIP RESISTOR	27K 5% 1/10W						
R129	2007-000941	CHIP RESISTOR	47K 5% 1/10W						
R132	2007-000300	CHIP RESISTOR	10K 5% 1/10W						
R133	2007-000300	CHIP RESISTOR	10K 5% 1/10W						
R201	2007-000290	CHIP RESISTOR	100 5% 1/10W						
R202	2007-000477	CHIP RESISTOR	1M 5% 1/10W						
R203	2007-000290	CHIP RESISTOR	100 5% 1/10W						
R204	2007-000468	CHIP RESISTOR	1K 5% 1/10W						
R205	2007-000468	CHIP RESISTOR	1K 5% 1/10W						

<MEMO>

Packing materials and accessories parts list

Block No. M 3 M M



Packing and accessories

Block No. [M][3][M][M]

△ Symbol No.	Part No.	Part Name	Description	Local
A 1	AH68-01227H	INST ENG SPA	LVT1010-007A	
A 2	AH59-01163C	REMOCON ASSY		
A 3	AH38-10001A	FM WIRE		
A 4	AH42-20001P	ANT LOOP		
A 5	-----	BATTERY	(x2)	
A 6	AH68-00415J	IMPORTANT CARD		
A 7	AH68-00416A	SAFETY CARD		
A 8	AH81-00959B	SPEAKER BOX R		
A 9	AH81-00959A	SPEAKER BOX L		
P 1	AH69-00906E	PACKING CASE	SET	
P 2	AH69-00867C	CUSHION	FRONT	
P 3	AH69-00868C	CUSHION	REAR	
P 4	6902-000068	PORY BAG	SET	
P 5	6902-000525	PORY BAG	INSTRUCTIONS	
P 6	AH81-00959Q	CUSHION TOP	SPEAKER BOX	
P 7	AH81-00929R	CUSHION BOTTOM	SPEAKER BOX	
P 8	AH81-00631U	PORY BAG	SPEAKER BOX(x2)	